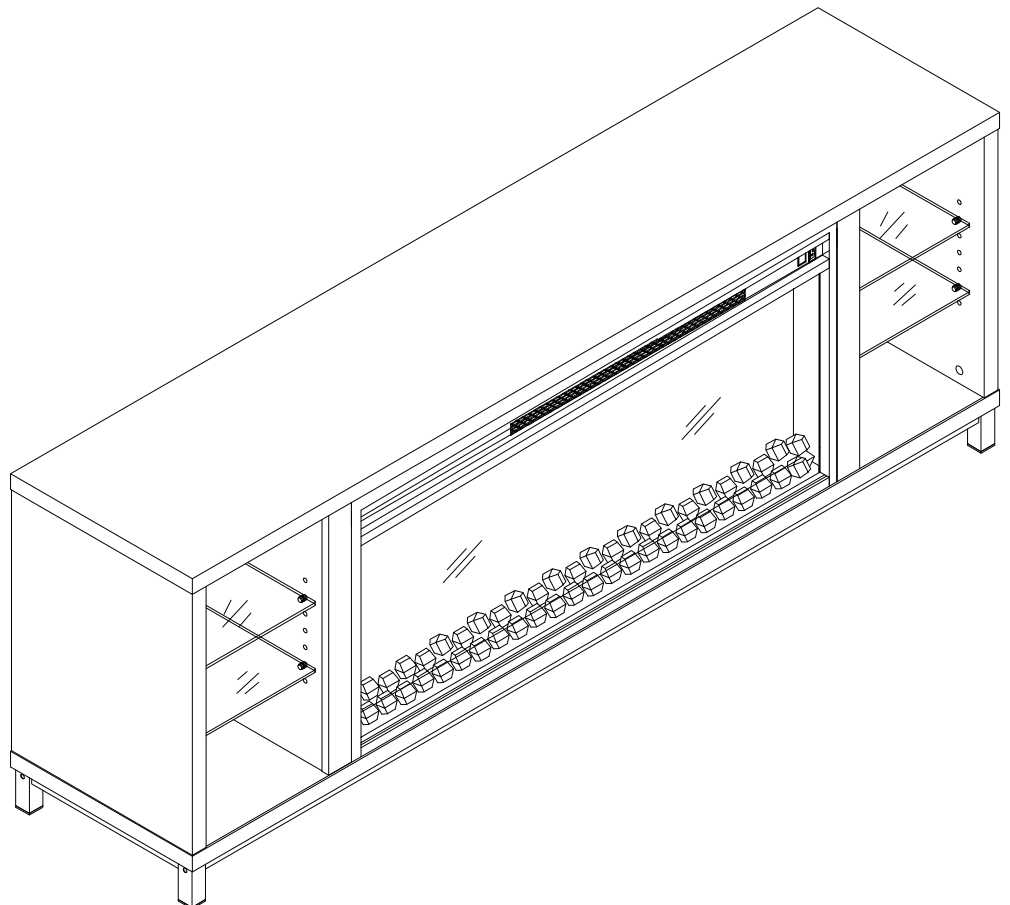


# 1682865COM White 1682407COM Black Fireplace Console

**Ameriwood**  
HOME

Date of Purchase \_\_\_ / \_\_\_ / \_\_\_  
Lot Number:

**B341682XXXCOM00SF**



THIS INSTRUCTION BOOKLET CONTAINS **IMPORTANT** SAFETY INFORMATION. PLEASE READ AND KEEP FOR FUTURE REFERENCE.

### Do Not Return This Product!

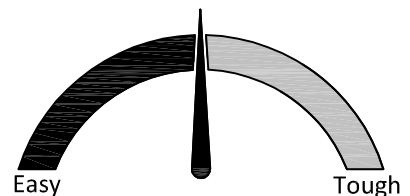
Contact our customer service team for help first.

**Call:** 1-800-489-3351 (toll free)

**Visit:** [www.ameriwoodhome.com](http://www.ameriwoodhome.com)

## **WARNING**

- Unit can tip over causing severe injury or death.
- Anchor unit to stud in wall (if instructed to).
- Do Not allow children to climb on unit.
- Put heavy items on lower shelves or drawers.



Assembly Difficulty Meter

People needed for assembly: 2

Follow Ameriwood Home



## Contact Us!

### Do NOT return this product!

Contact our friendly customer service team first for help.

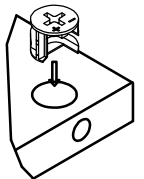
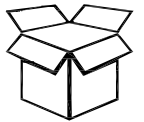


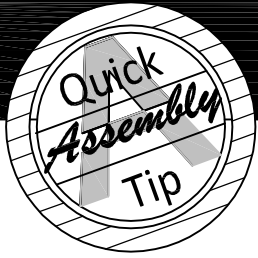
Visit [ameriwoodhome.com](http://ameriwoodhome.com)

## Helpful Hints

PEOPLE NEEDED FOR ASSEMBLY: 2

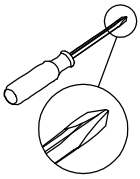
- Open your item in the area you plan to keep it to avoid excessive heavy lifting.
- Identify, sort and count the parts before attempting assembly.
- Make sure to always face the point between (+) & (-) on the top of the Cam Lock towards the outer edge.
- Back panel must be used to make sure your unit is sturdy.
- Do NOT use harsh chemicals or abrasive cleaners on this item.
- Never push, pull, or drag your furniture.





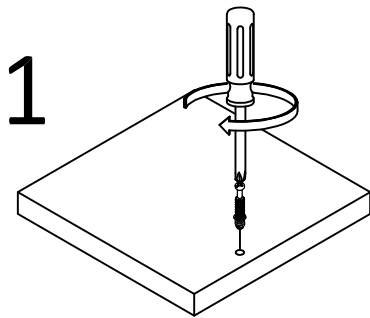
# Before You Start

- ✓ Read through each step carefully and follow the proper order.
- ✓ Separate and count all your parts and hardware.
- ✓ Give yourself enough room for the assembly process.
- ✓ Have the following tools: #2 Phillips Head Screwdriver and Hammer.
- ✓ Caution: If using a power drill or power Screwdriver for Screwing, please be aware to slow down and stop when Screw is tight. Failure to do so may result in stripping the Screw.

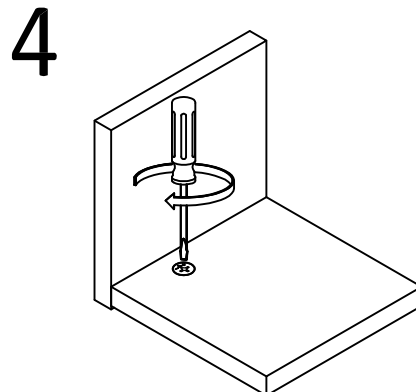
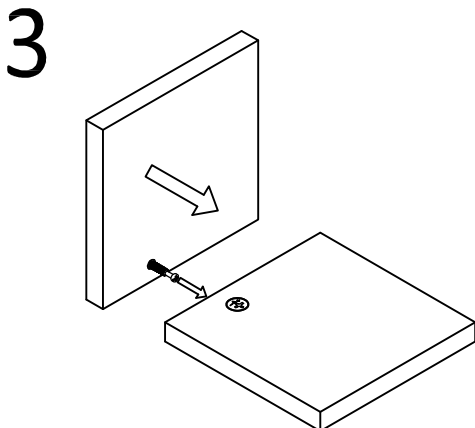
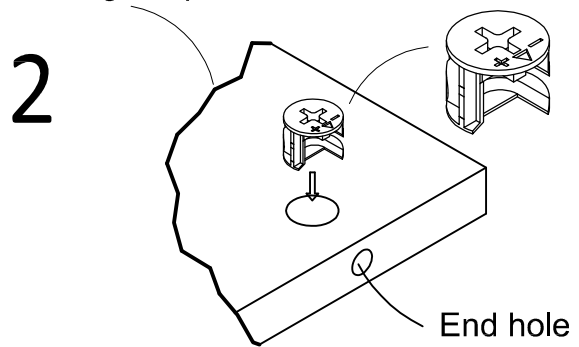


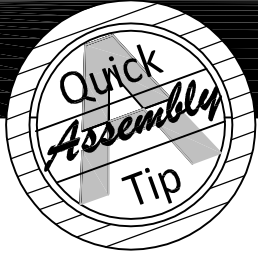
# Cam Lock Fastening System

This Cam Lock Fastening System will be used throughout the assembly process.



Arrow to point towards end hole in edge of part

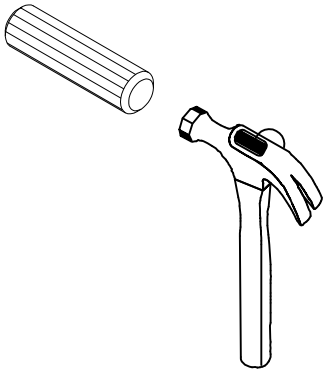




## Before You Start

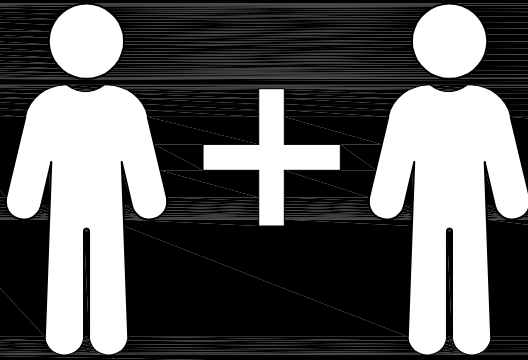
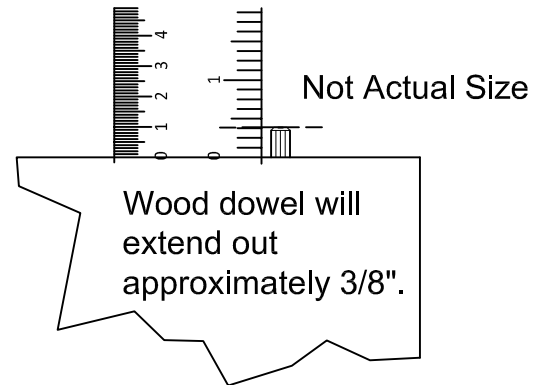
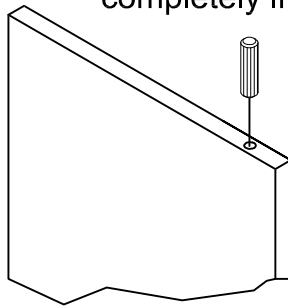
### Please Note:

You may need to **lightly tap** the Wood Dowels with a hammer into the holes during your assembly process.



### Wood Dowel Insertion:

Insert wood dowel completely into the hole.



**2 PEOPLE NEEDED FOR ASSEMBLY**

**2 PERSONAS NECESITADAS  
PARA LA ASAMBLEA**

**2 PERSONNES NÉCESSAIRES  
POUR L'ASSEMBLAGE**

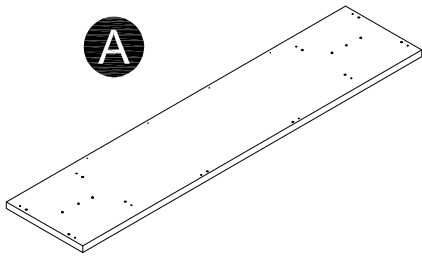
**CAUTION:** Failure to use 2 people for assembly could result in unit damage or personal injury.

**PRECAUCION:** Si no se utilizan 2 personas para el ensamblaje, se pueden producir daños en la unidad o lesiones personales.

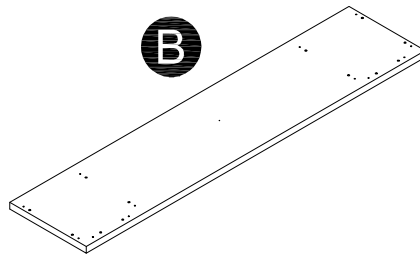
**ATTENTION:** Echec d'utiliser 2 personnes pour l'assemblage peut causer du dommage à l'ameuble ou causer des blessures.

# Board Identification

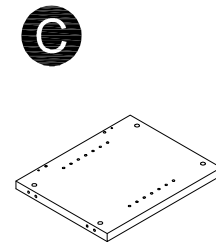
Not Actual Size



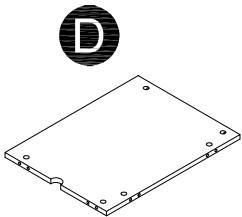
Top Panel  
1 PC



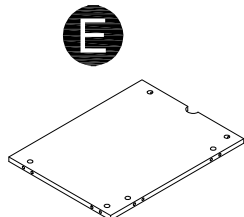
Bottom Panel  
1 PC



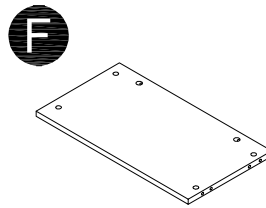
Side Panel  
2 PCS



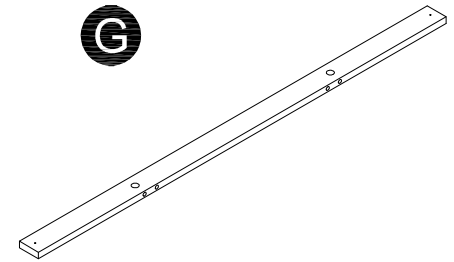
Left Partition  
1 PC



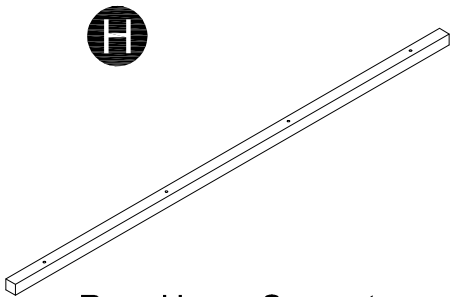
Right Partition  
1 PC



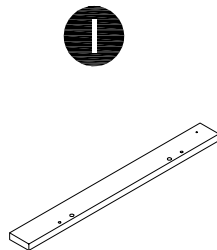
Back Panel  
2 PCS



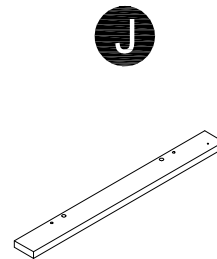
Top Shelf Apron  
1 PC



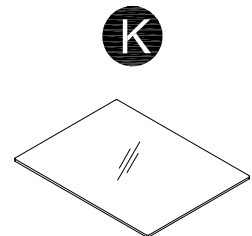
Rear Upper Support  
1 PC



Left Side Rail  
1 PC



Right Side Rail  
1 PC

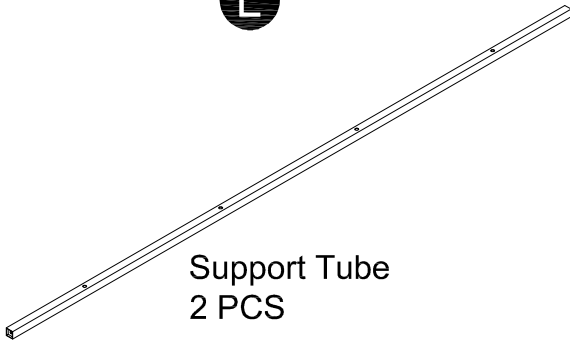


Glass Shelf  
4 PCS

# Board Identification

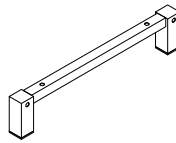
Not Actual Size

L



Support Tube  
2 PCS

M

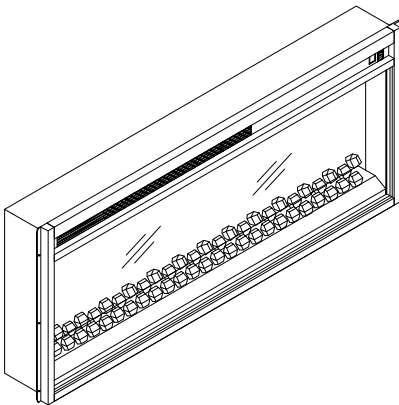


Metal Foot Frame  
2 PCS

N



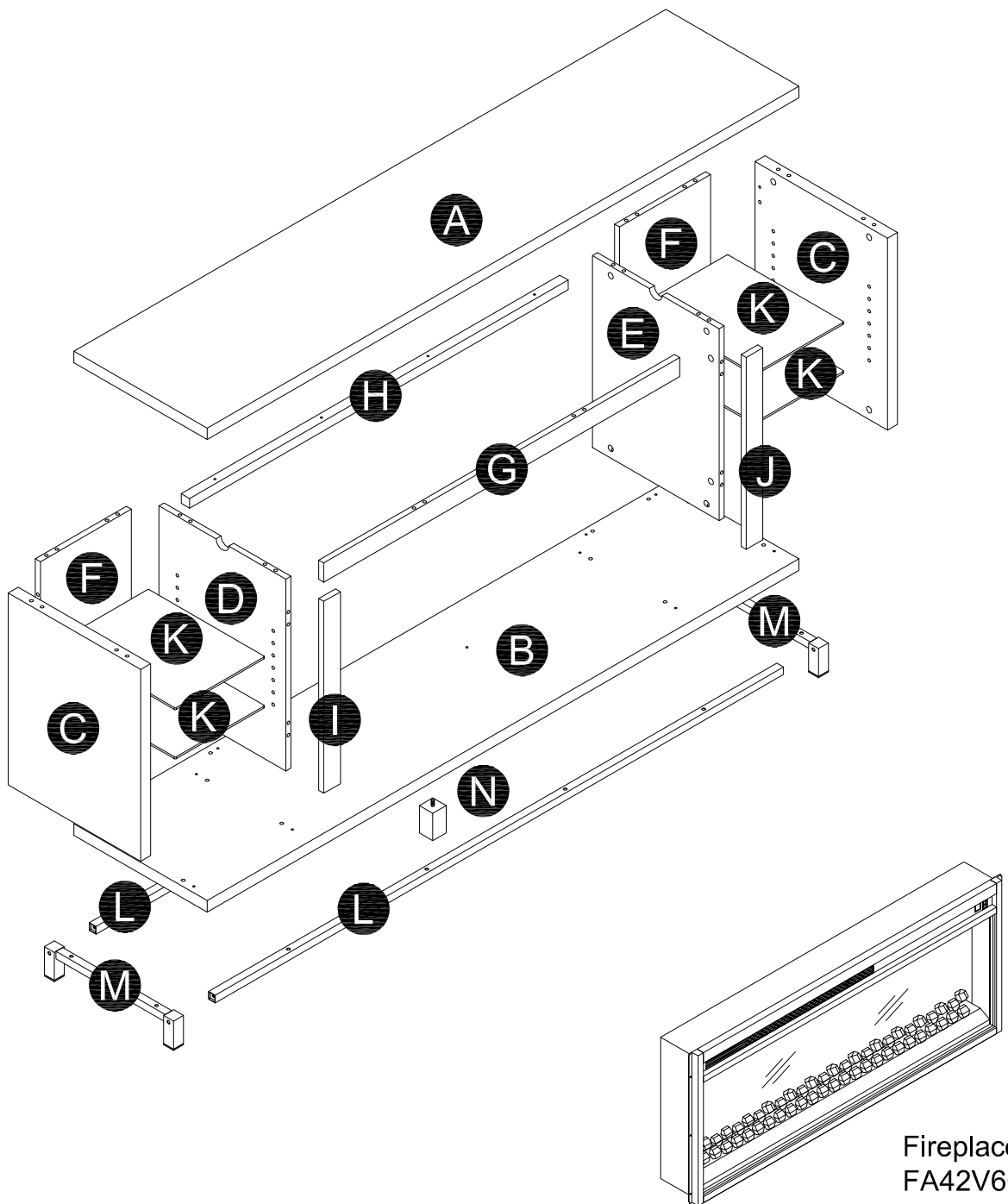
Central Support Foot  
1 PC



Fireplace  
FA42V60L-C7

# Board Identification

Not Actual Size



Fireplace  
FA42V60L-C7

# Part Number Reference



Each part has a unique part number. Please reference the appropriate part number when contacting customer service for replacement parts.



Before throwing any packaging, please verify all contents and make sure you have received all the parts listed above.

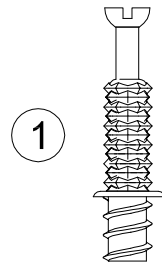
| LABEL | PART NAME             | Quantity | 1682407COM<br>(Black) | 1682865COM<br>(White) |
|-------|-----------------------|----------|-----------------------|-----------------------|
| A     | TOP PANEL             | 1        | T1682407010SF         | T1682865010SF         |
| B     | BOTTOM PANEL          | 1        | T1682407020SF         | T1682865020SF         |
| C     | SIDE PANEL            | 2        | T1682407030SF         | T1682865030SF         |
| D     | LEFT PARTITION        | 1        | T1682407040SF         | T1682865040SF         |
| E     | RIGHT PARTITION       | 1        | T1682407050SF         | T1682865050SF         |
| F     | BACK PANEL            | 2        | T1682407060SF         | T1682865060SF         |
| G     | TOP SHELF APRON       | 1        | T1682407070SF         | T1682865070SF         |
| H     | REAR UPPER SUPPORT    | 1        | T1682407080SF         | T1682865080SF         |
| I     | LEFT SIDE RAIL        | 1        | T1682407090SF         | T1682865090SF         |
| J     | RIGHT SIDE RAIL       | 1        | T1682407100SF         | T1682865100SF         |
| K     | GLASS SHELF           | 4        | T1682407110SF         | T1682865110SF         |
| L     | SUPPORT TUBE          | 2        | T1682407120SF         | T1682865120SF         |
| M     | METAL FOOT FRAME      | 2        | T1682407130SF         | T1682865130SF         |
| N     | CENTERAL SUPPORT FOOT | 1        | T1682407140SF         | T1682865140SF         |
|       | FIREPLACE             | 1        | FA42V60L-C7           | FA42V60L-C7           |



# Part List

## Actual Size

For any replacement hardware,  
see page 11.



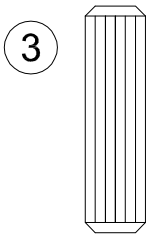
1

(x34)  
Cam Bolt  
Ø7x34 mm



2

(x34)  
Cam Lock  
Ø15x12 mm



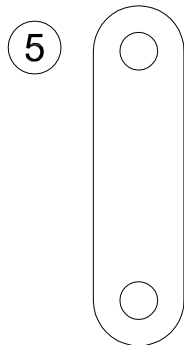
3

(x34)  
Wood Dowel  
Ø8x30 mm



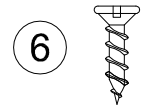
4

(x3)  
Screw  
Ø3.5x12 mm



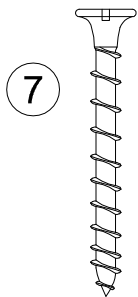
5

(x2)  
Metal Plate  
45x12x1 mm



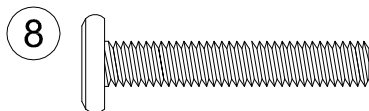
6

(x10)  
Screw  
Ø3.5x12 mm



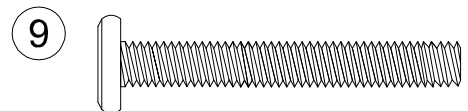
7

(x4)  
Screw  
Ø4x38 mm



8

(x12)  
Bolt  
Ø1/4x35 mm

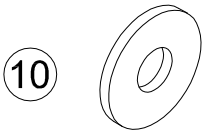


9

(x4)  
Bolt  
Ø1/4x45 mm

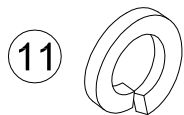
# Part List

Not Actual Size



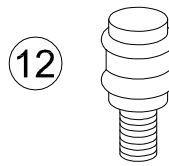
10

(x16)  
Washer  
Ø7x16 mm



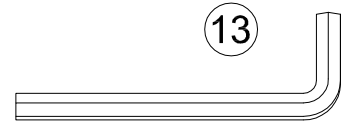
11

(x16)  
Spring Washer  
Ø7x10 mm



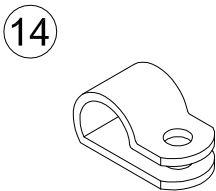
12

(x16)  
Shelf Support  
M8x18.5 mm



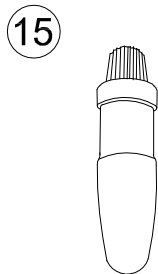
13

(x1)  
Hex Key  
M4x54 mm



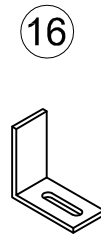
14

(x2)  
Wire Clip



15

(x1)  
Glue



16

(x1)  
Angel Bracket



17

(x1)  
Warning Label

# Hardware Number Reference



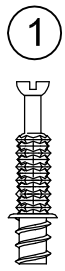
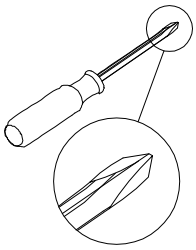
Each part has a unique part number. Please reference the appropriate part number when contacting customer service for replacement parts.



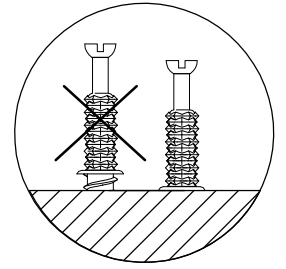
Before throwing any packaging, please verify all contents and make sure you have received all the parts listed above.

| MODEL#                      | 1682407COM<br>(Black) | 1682865COM<br>(White) |
|-----------------------------|-----------------------|-----------------------|
| Hardware Number Reference#: | 21682407COM0SF        | 21682865COM0SF        |

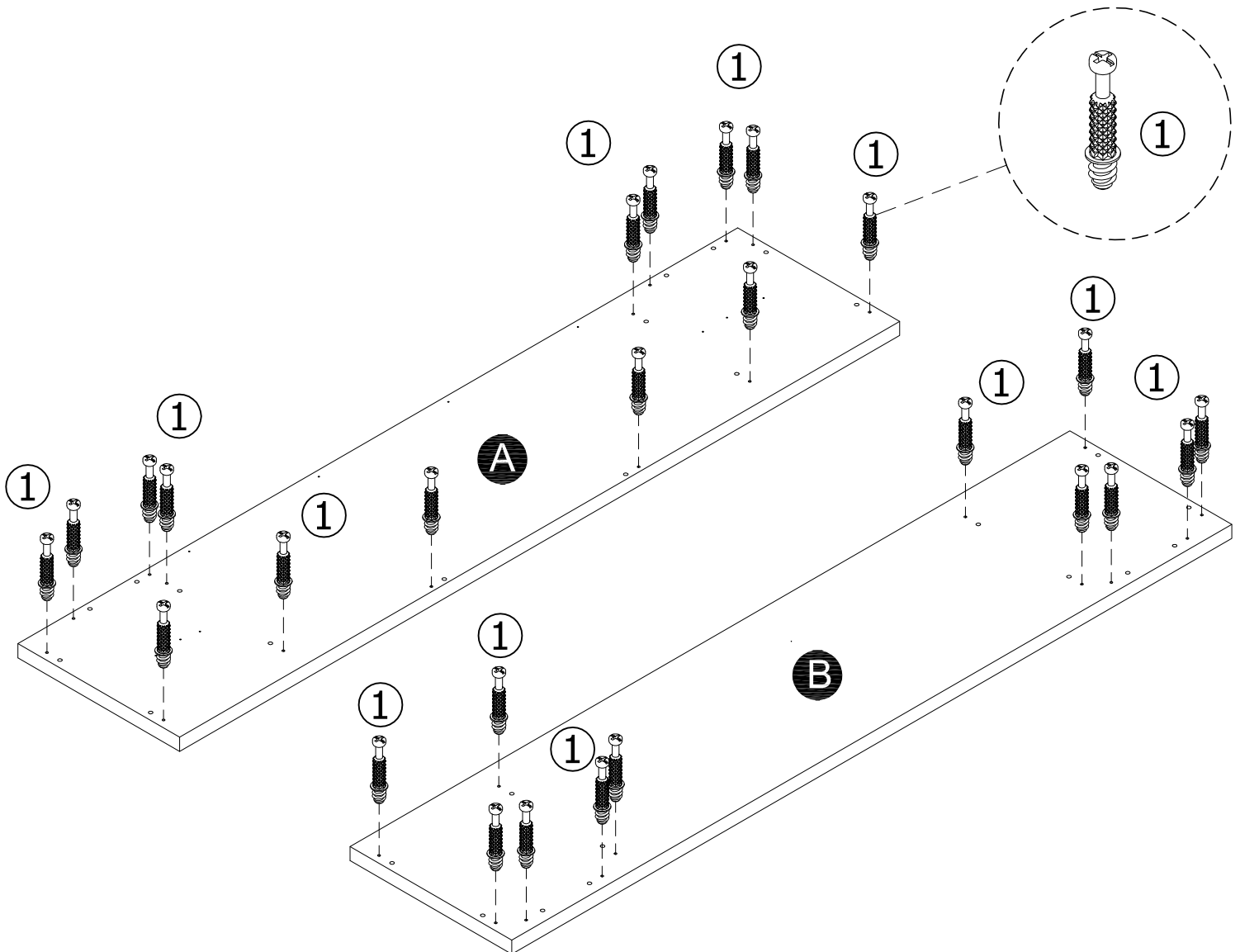
## STEP 1



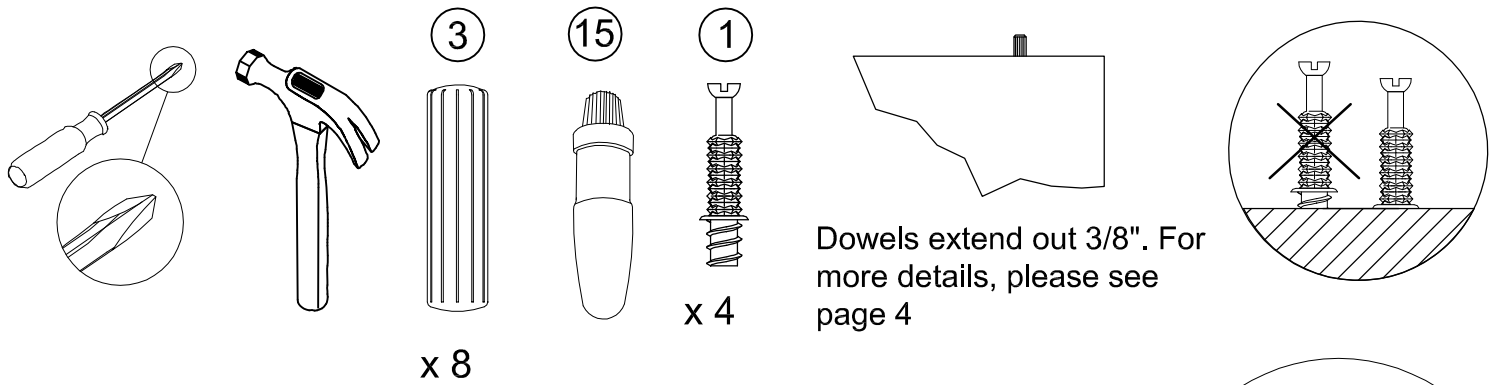
x 26



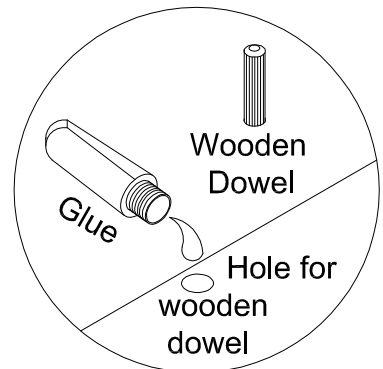
Use your Screwdriver to fully tighten down 14 Cam Bolts (1) into board (A) and 12 Cam Bolts (1) into Board (B).



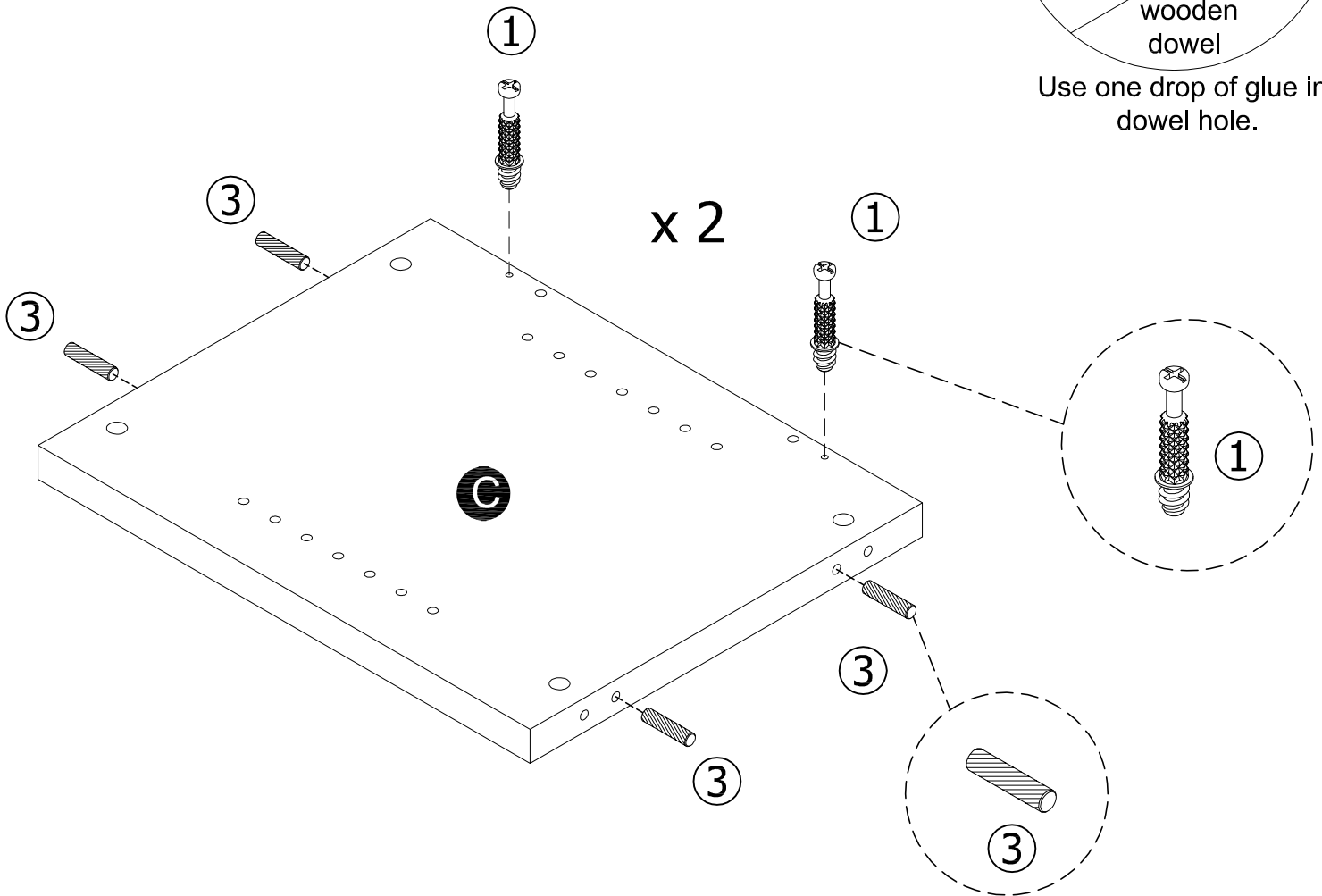
## STEP 2



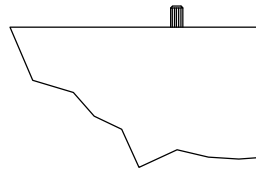
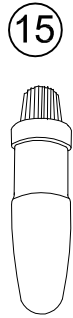
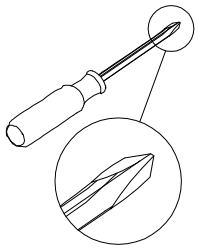
Use your Screwdriver to fully tighten down 2 Cam Bolts (1) into board (C).  
 Insert 4 Wood Dowels (3) into board (C).



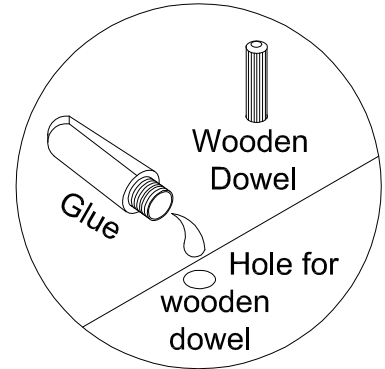
Use one drop of glue in dowel hole.



## STEP 3



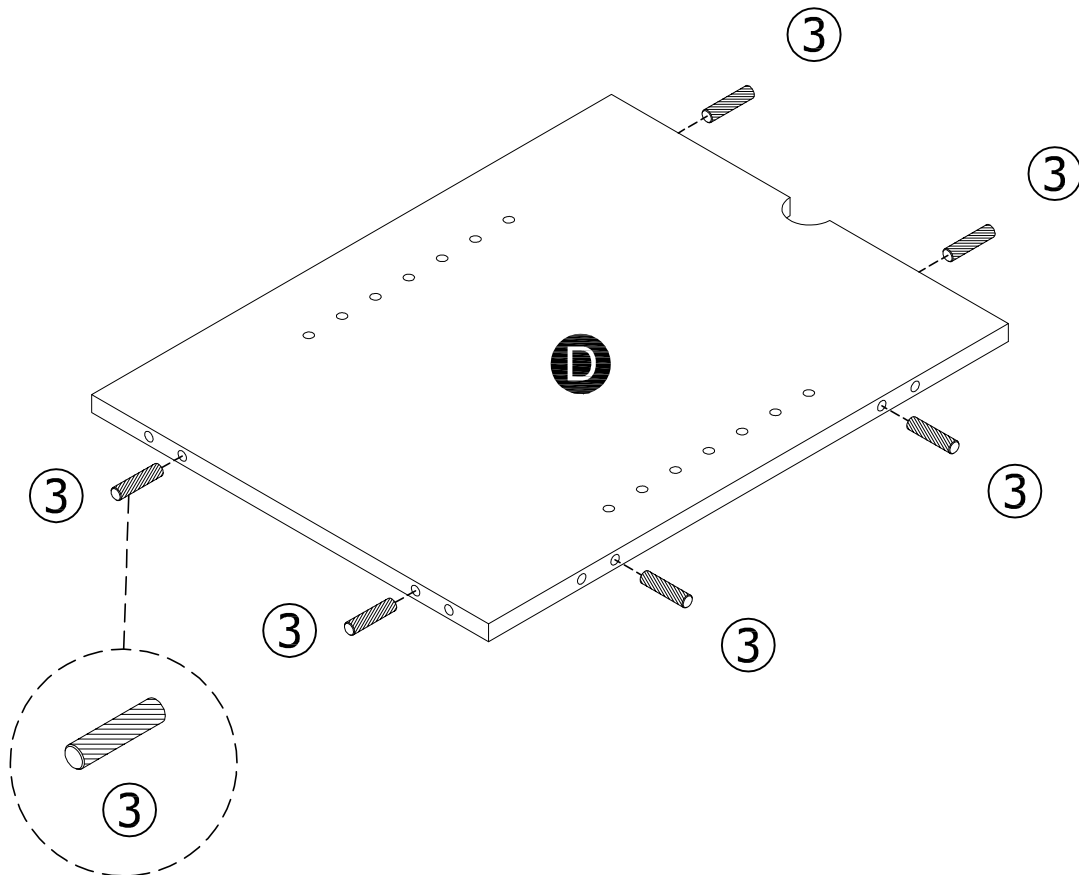
Dowels extend out 3/8". For more details, please see page 4



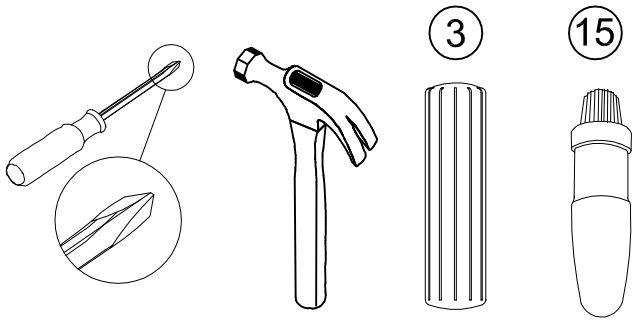
Use one drop of glue in dowel hole.

x 6

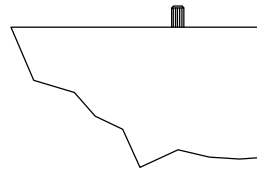
Insert 6 Wood Dowels (3) into board (D).



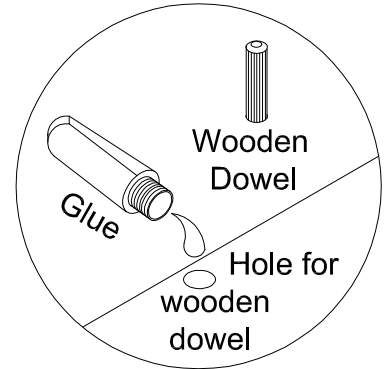
## STEP 4



x 6

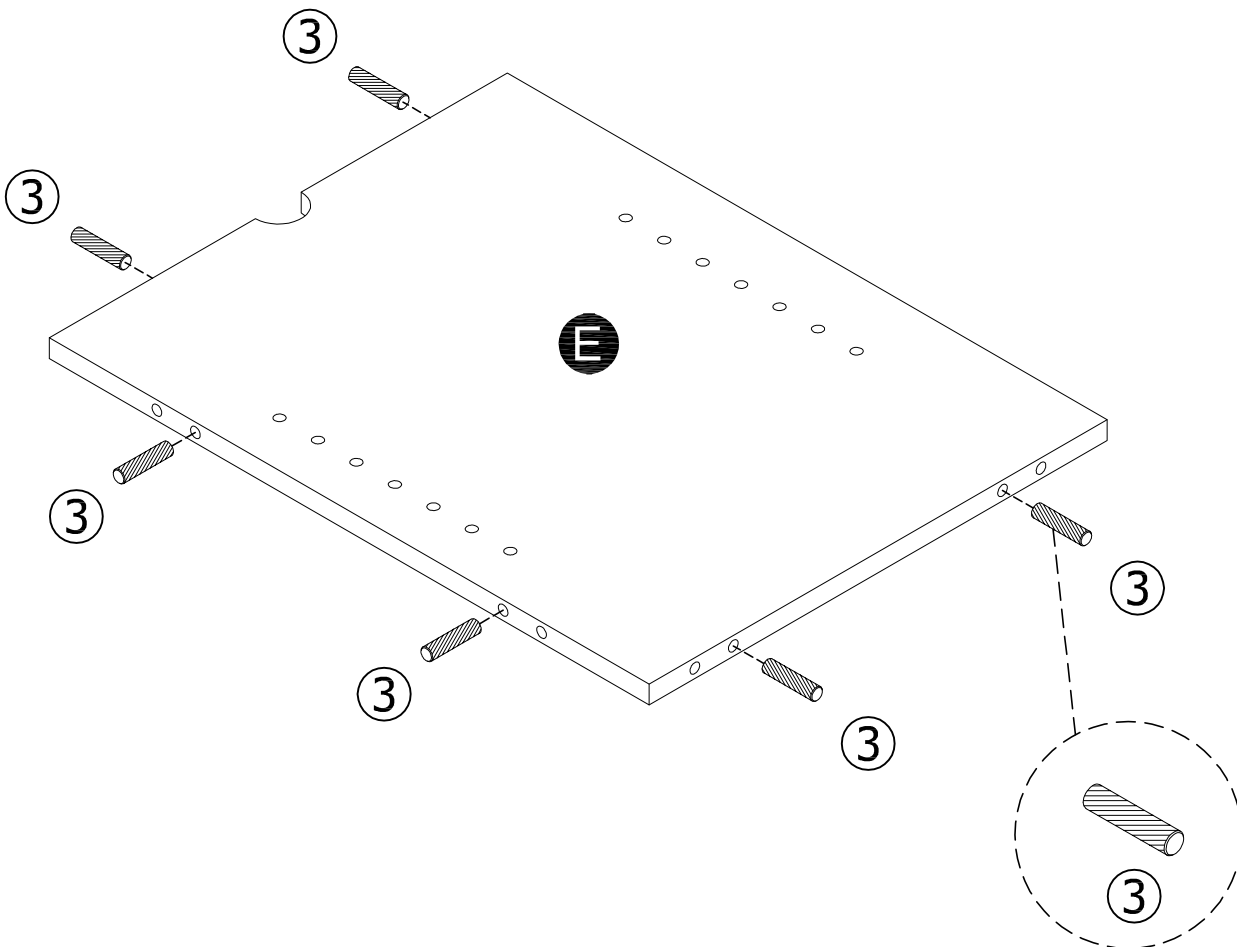


Dowels extend out 3/8". For more details, please see page 4

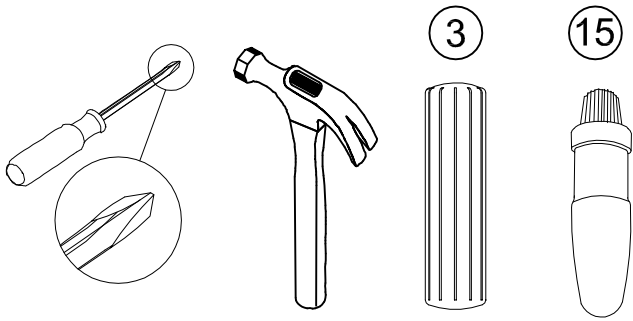


Use one drop of glue in dowel hole.

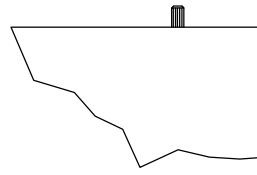
Insert 6 Wood Dowels (3) into board (E).



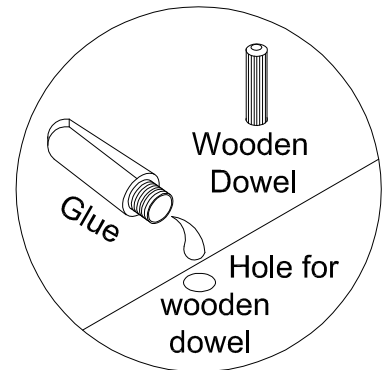
## STEP 5



x 14

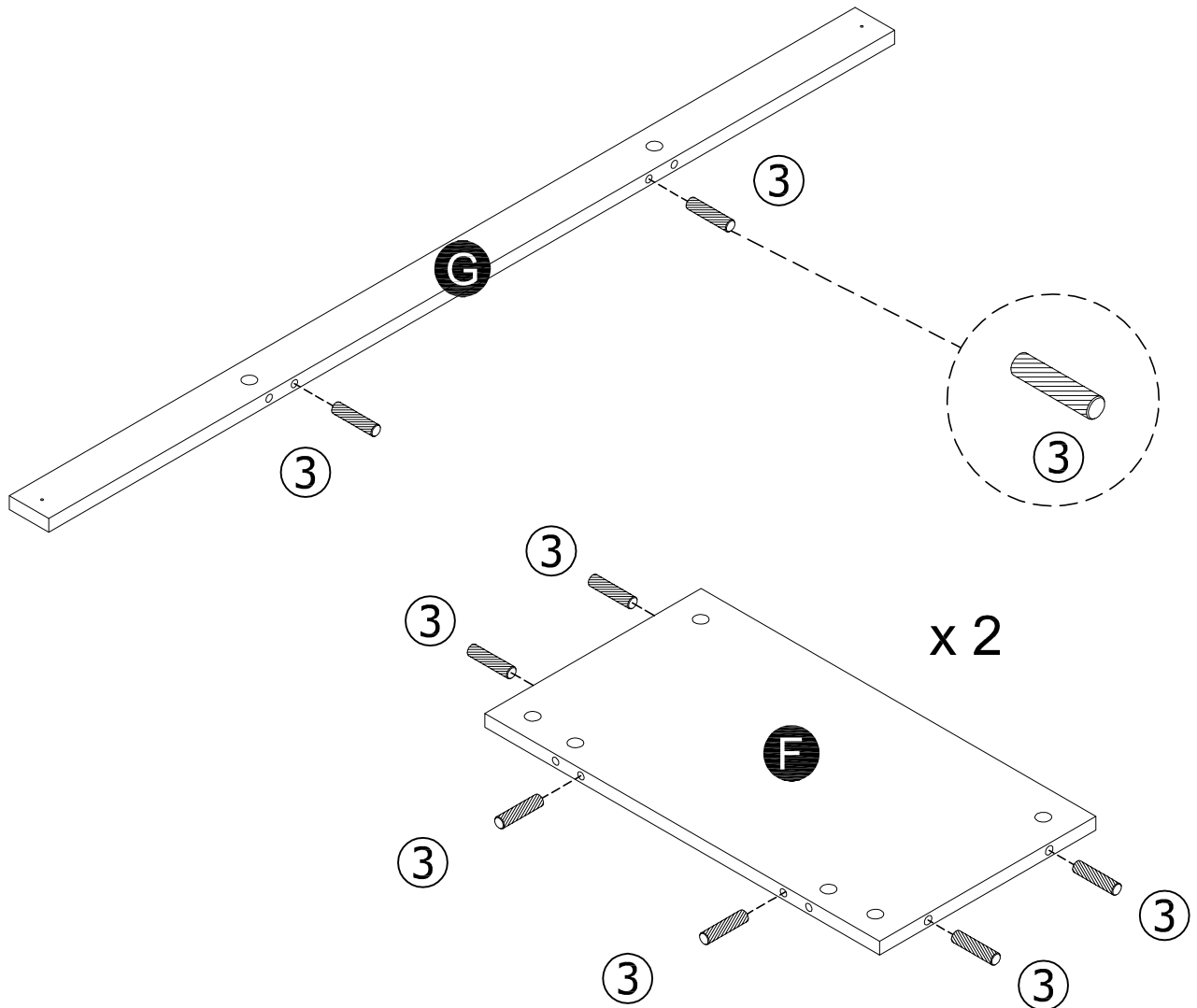


Dowels extend out 3/8". For more details, please see page 4



Use one drop of glue in dowel hole.

Insert 6 Wood Dowels (3) into board (F) and 2 Wood Dowels into board (G).

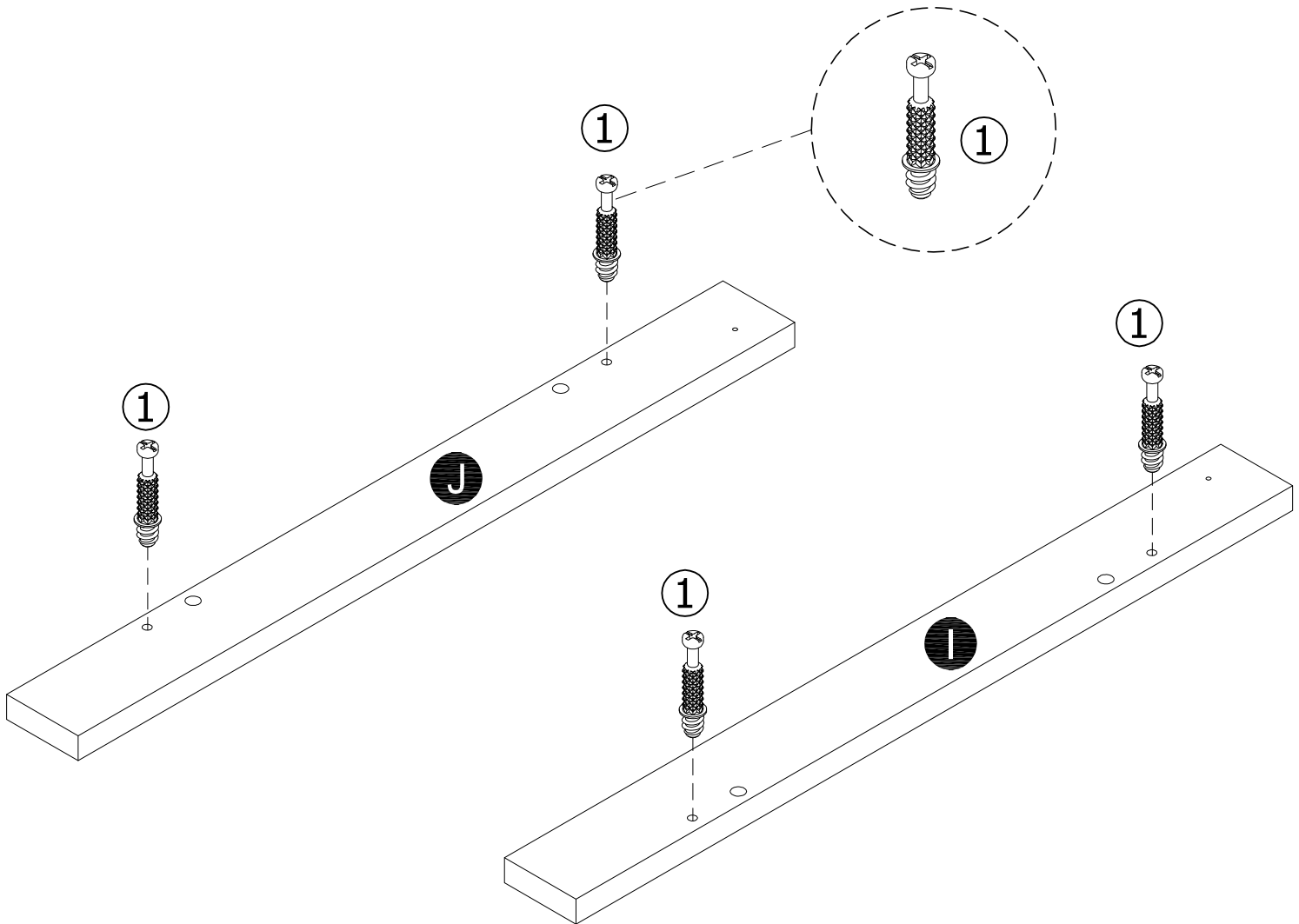




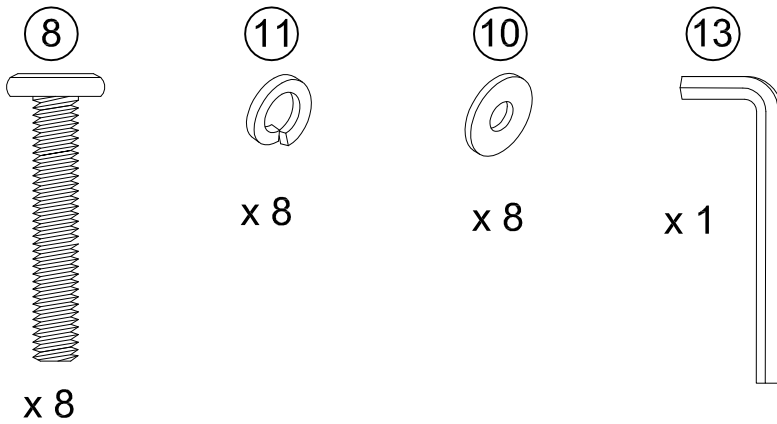
## STEP 6



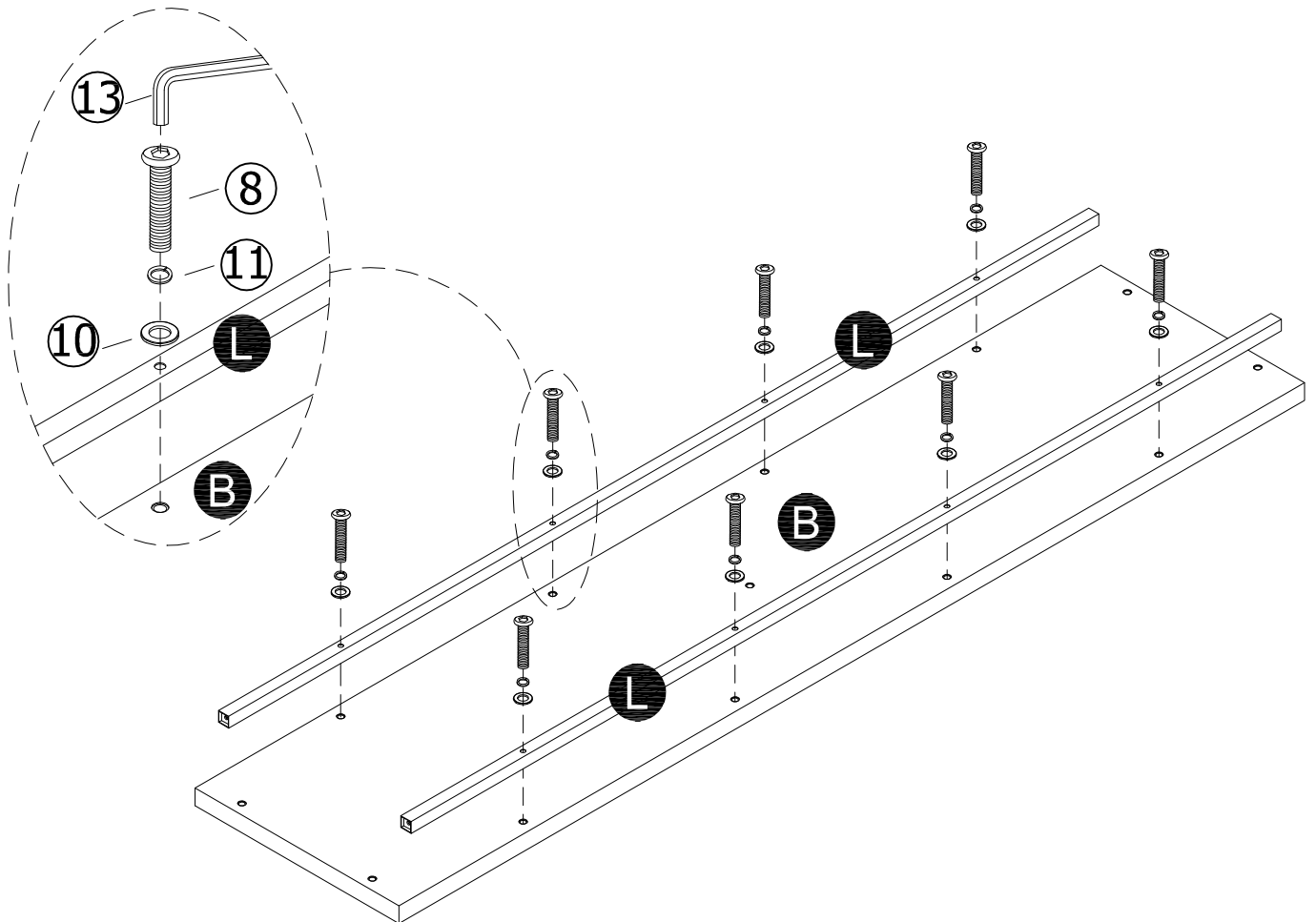
Use your Screwdriver to fully tighten down 2 Cam Bolts (1) into board (I) and 2 Cam Bolts (1) into board (J).



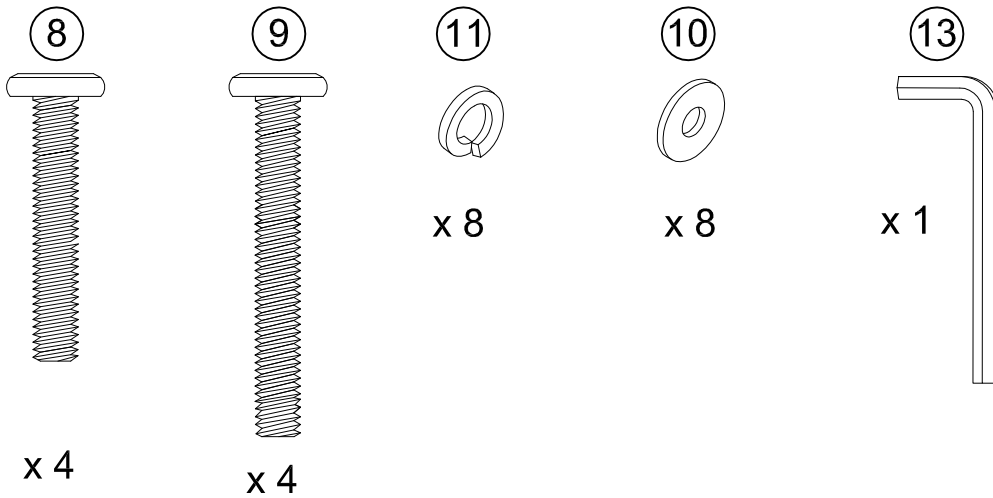
## STEP 7



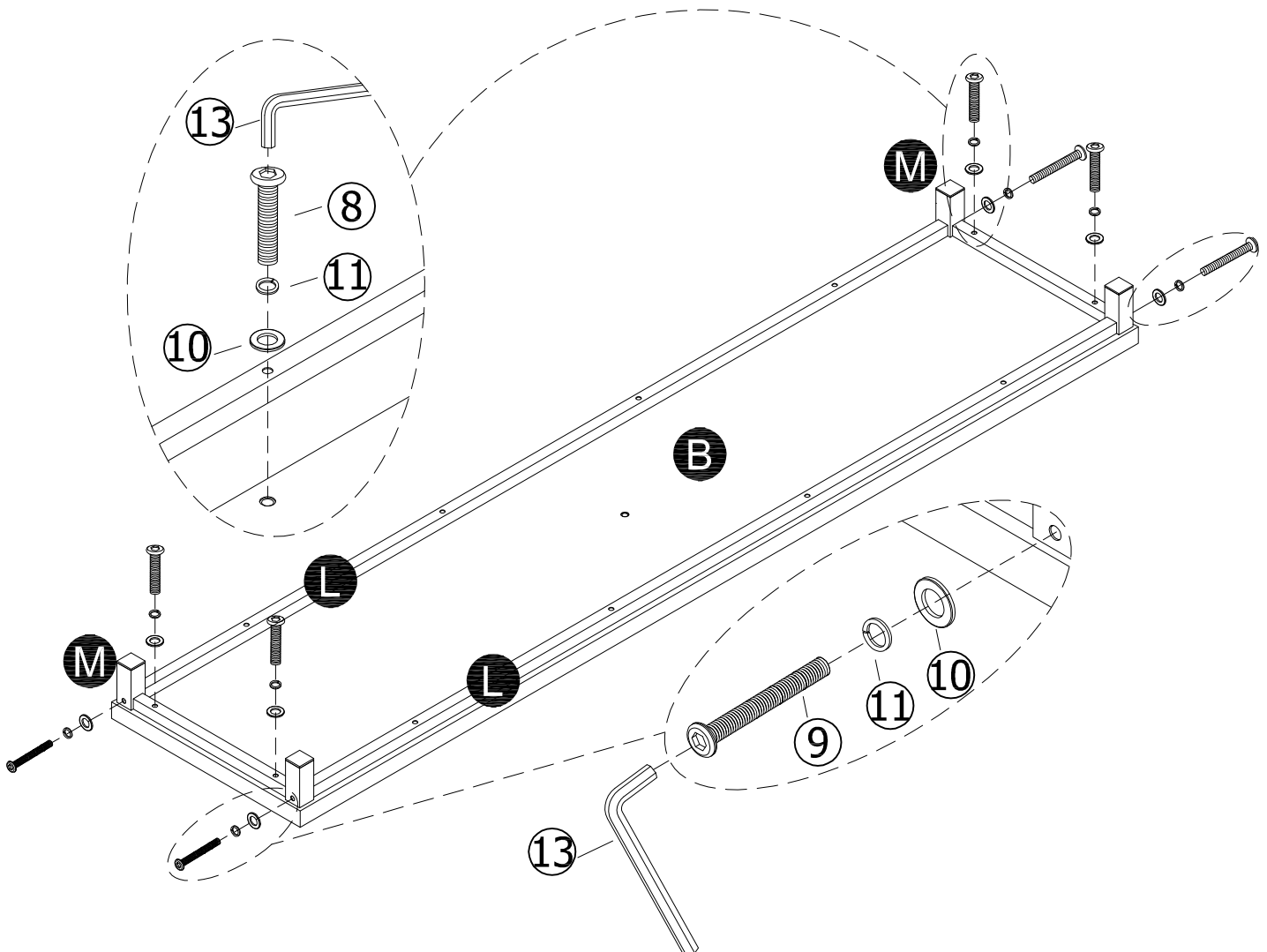
Attach 2 metal support tubes (L) to board (B) with 8 Bolts (8), 8 Washers (10) and 8 Spring Washer (11). Fully tighten with Hex Key (13) once they are all in place. Do NOT over-tighten.



## STEP 8

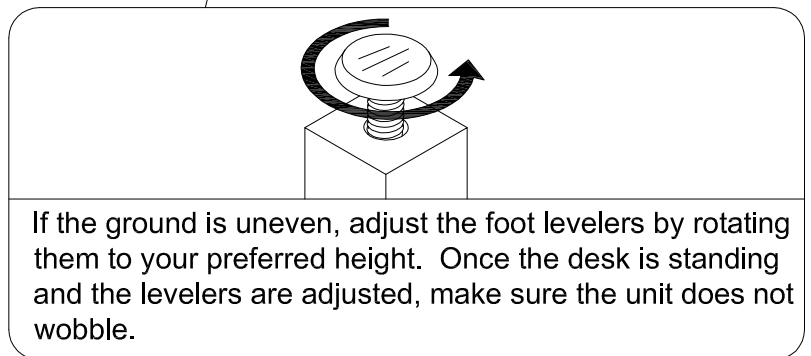
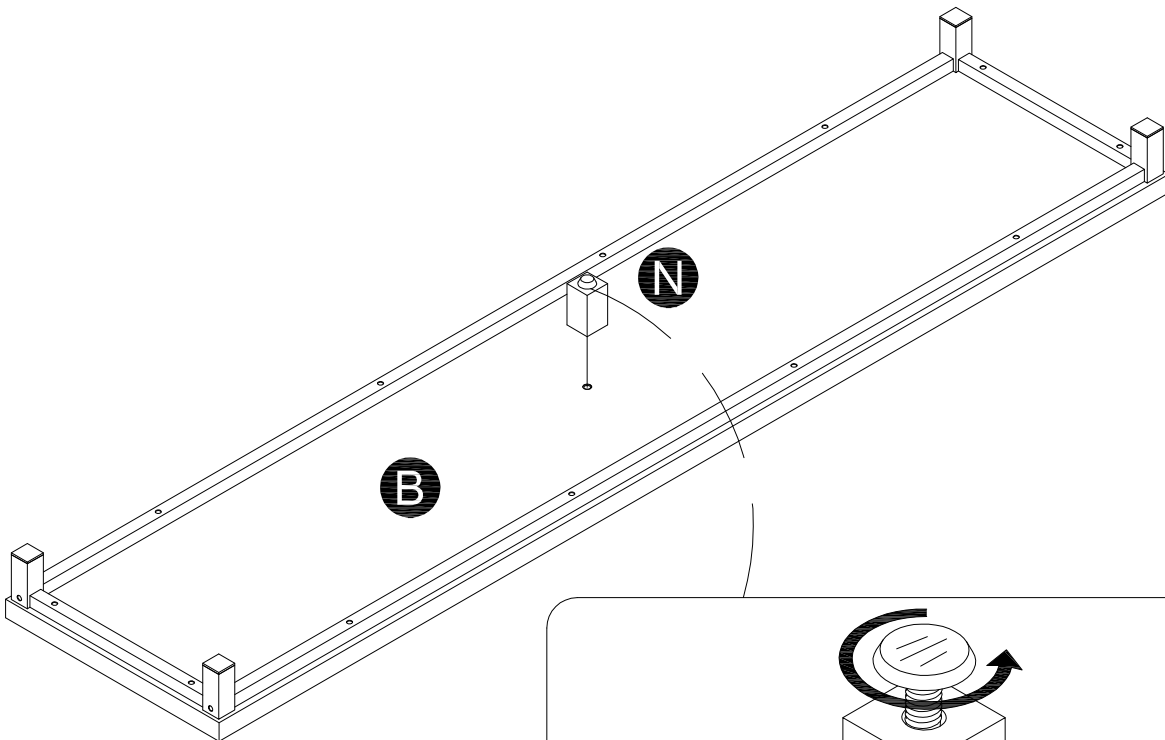


Attach 2 metal foot frames (M) to board (B) with 4 Bolts (8), 4 Washers (10) and 4 Spring Washer (11). Attach 2 metal foot frames (M) to 2 metal foot frames with 4 Bolts (9), 4 Washers (10) and 4 Spring Washer (11). Fully tighten with Hex Key (13) once they are all in place. Do NOT over-tighten.



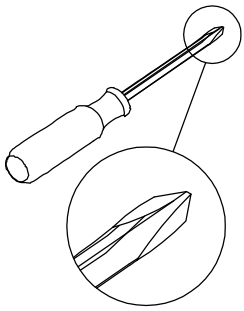
## STEP 9

Attach Central support foot (N) to board (B).



If the ground is uneven, adjust the foot levelers by rotating them to your preferred height. Once the desk is standing and the levelers are adjusted, make sure the unit does not wobble.

## STEP 10

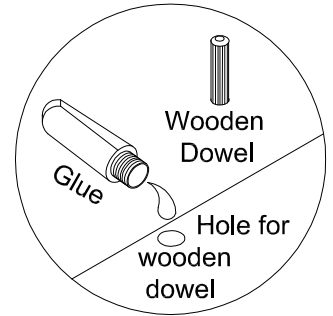
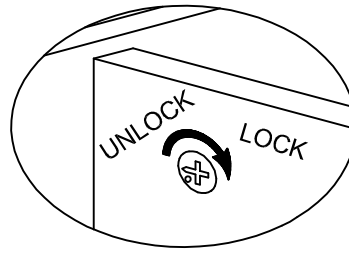
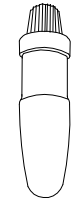


2



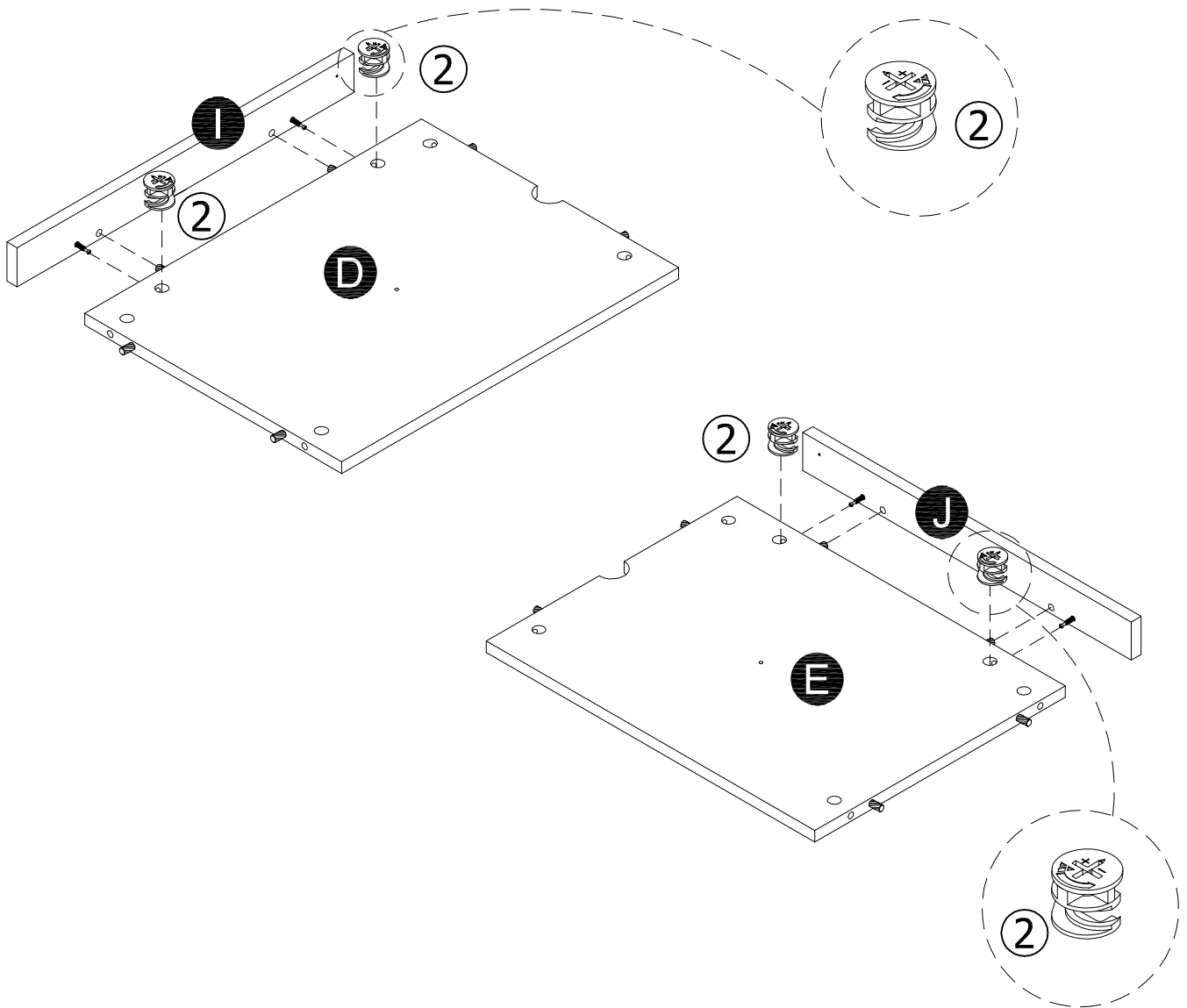
x 4

15

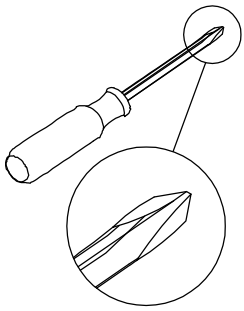


Use one drop of glue in dowel hole.

Attach board (I) to board (D) with 2 Cam Locks (2), Wood Dowels and Cam Bolts. Attach board (J) to board (E) with 2 Cam Locks (2), Wood Dowels and Cam Bolts.



## STEP 11

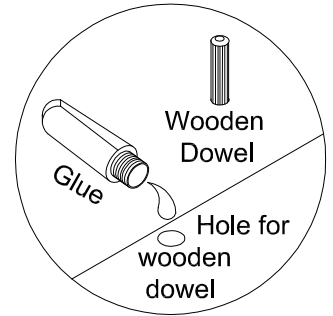
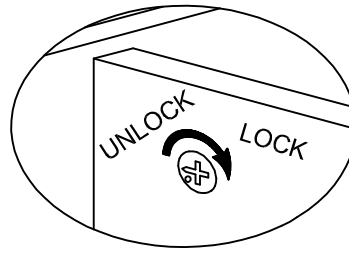
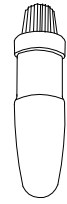


2



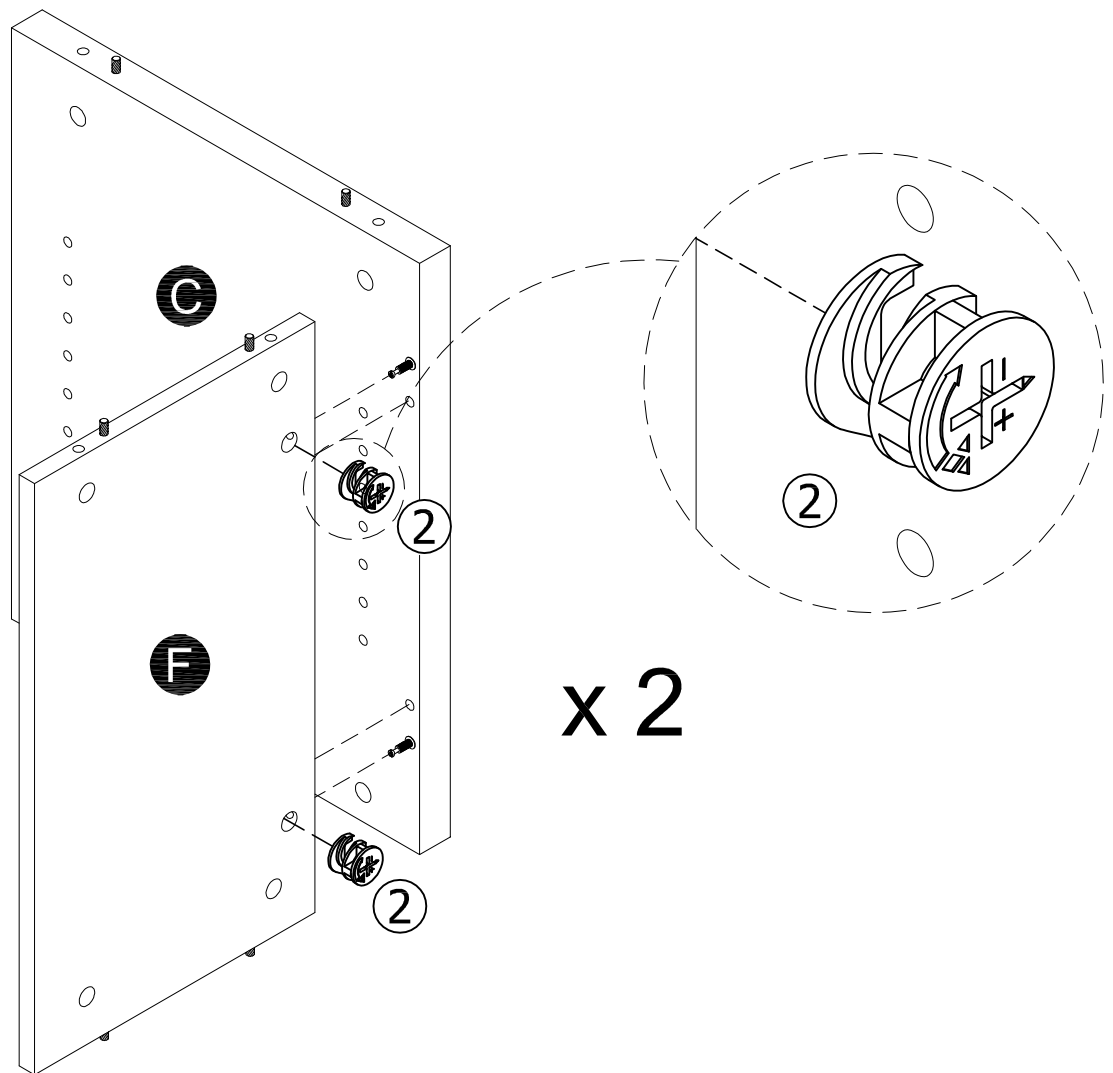
x 4

15

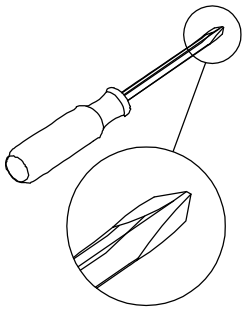


Use one drop of glue in dowel hole.

Attach board (F) to board (C) with 2 Cam Locks (2), Wood Dowels and Cam Bolts.



## STEP 12

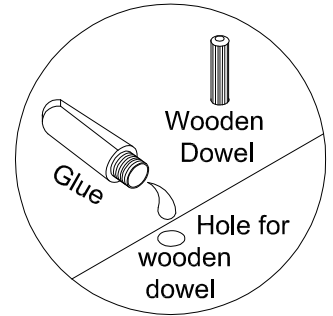
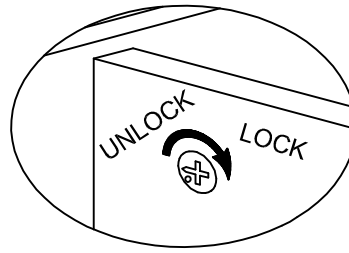
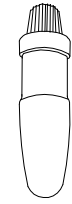


2



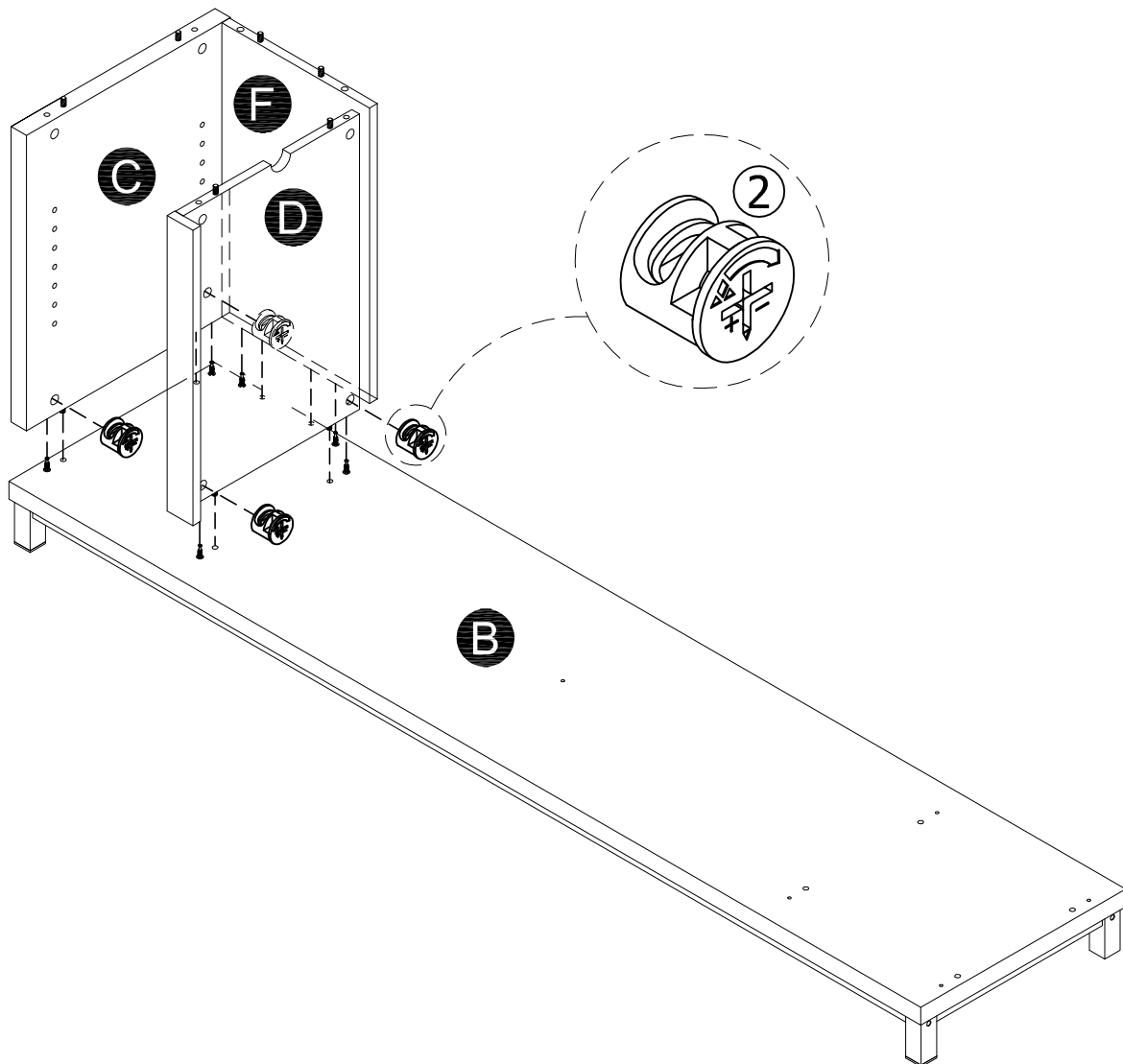
x 4

15

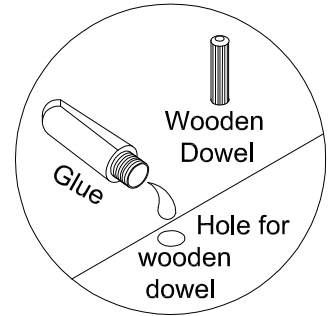
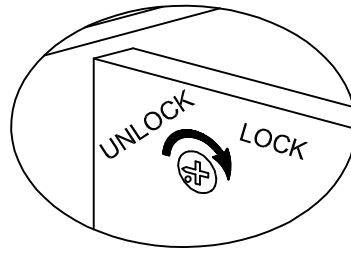
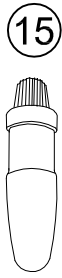
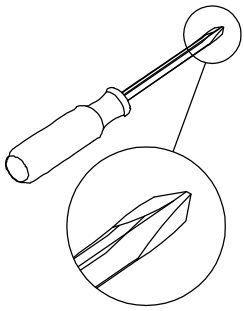


Use one drop of glue in dowel hole.

Attach board (C), board (D) and board (F) to board (B) with 4 Cam Locks (2), Wood Dowels and Cam Bolts.

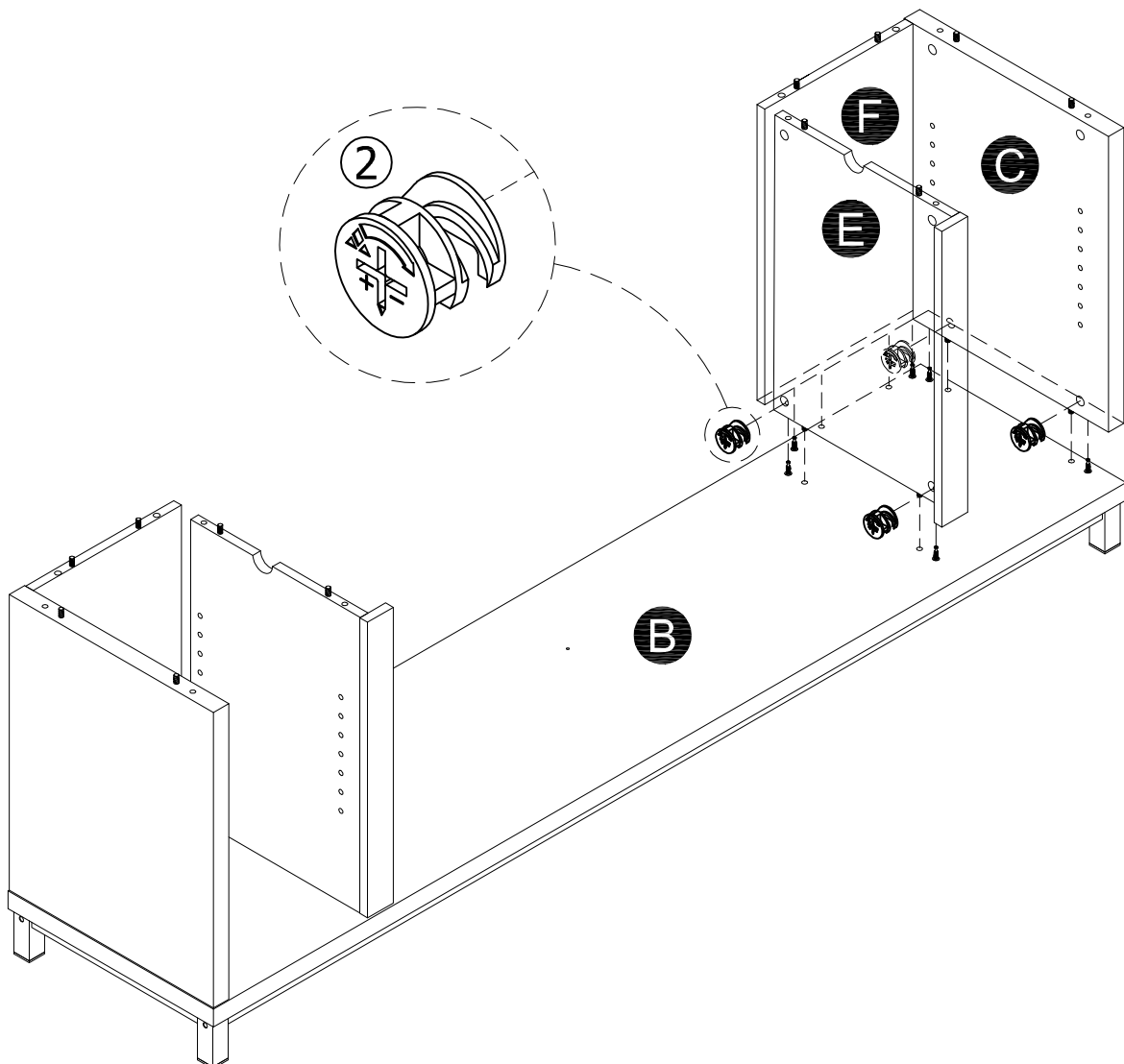


## STEP 13



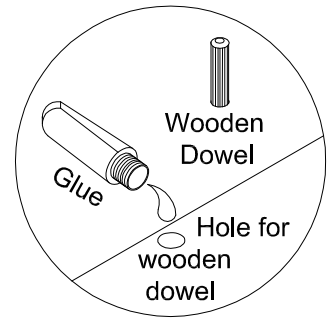
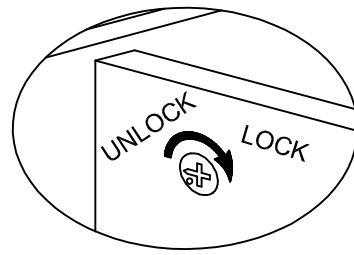
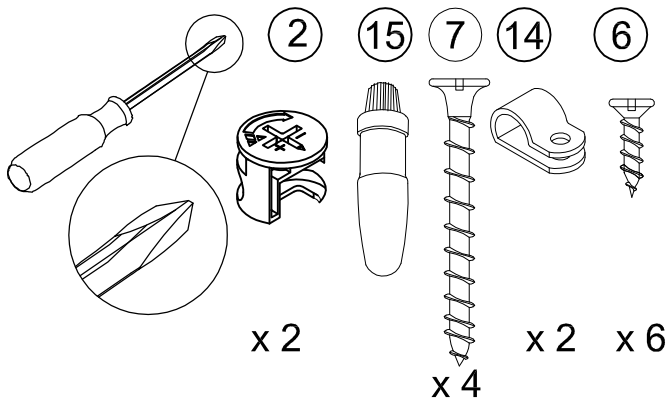
Use one drop of glue in dowel hole.

Attach board (C), board (E) and board (F) to board (B) with 4 Cam Locks (2), Wood Dowels and Cam Bolts.



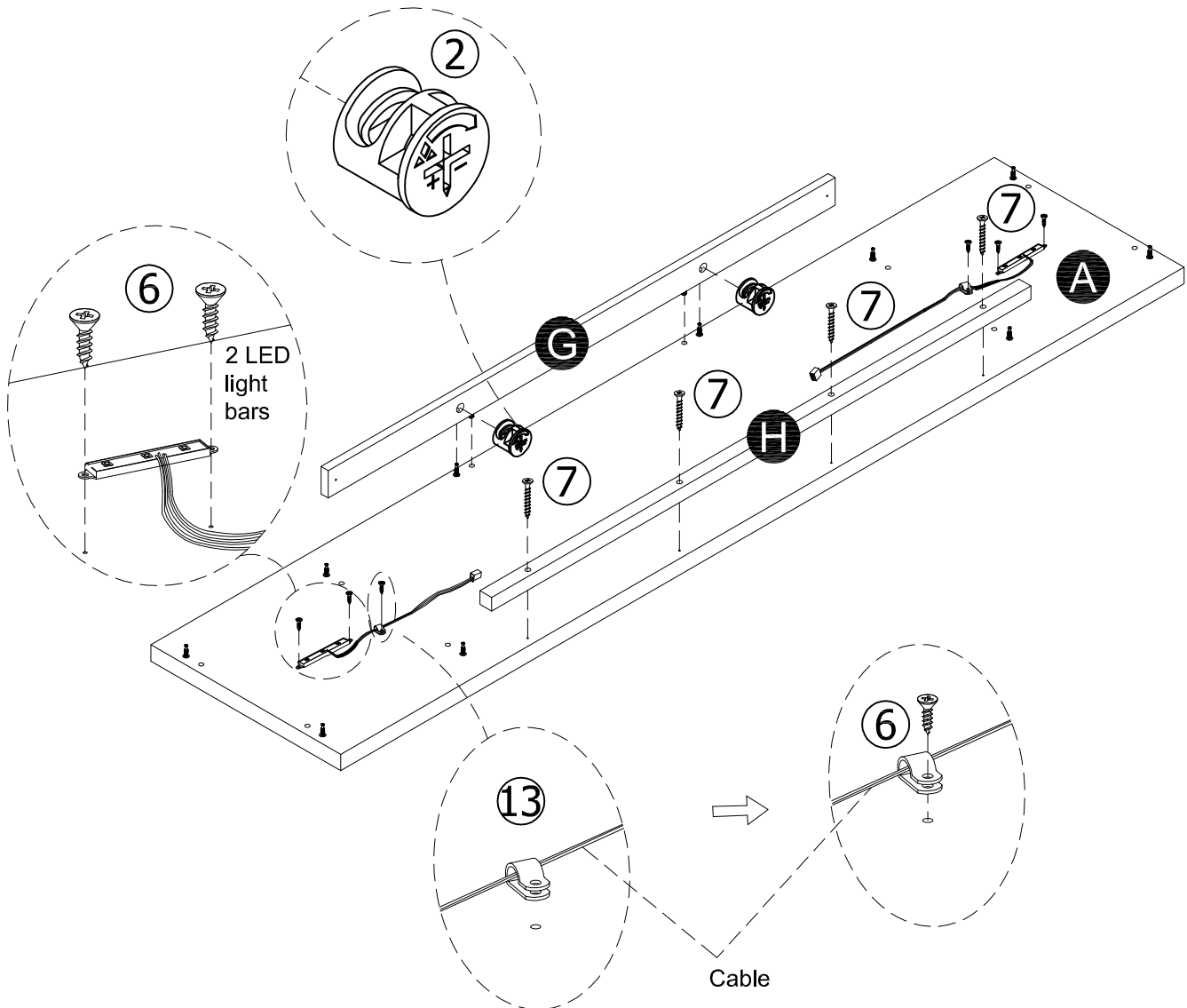


## STEP 14

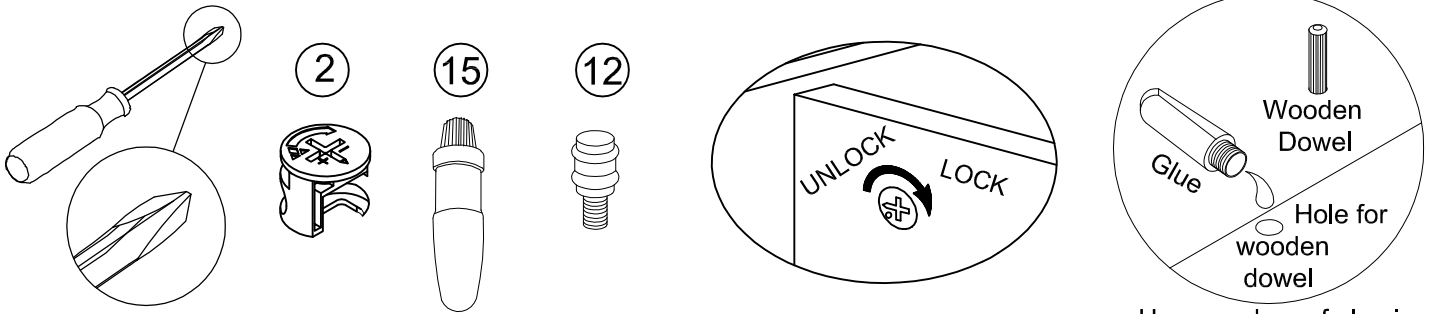


Use one drop of glue in dowel hole.

Attach top shelf apron (G) to board (A) with 2 Cam Locks (2), Wood Dowels and Cam Bolts. Attach rear upper support (H) to board (A) with 4 Screws (7). Attach 2 LED lights to board (A) with 2 Wire Clips (14) and 6 Screws (6).



## STEP 15

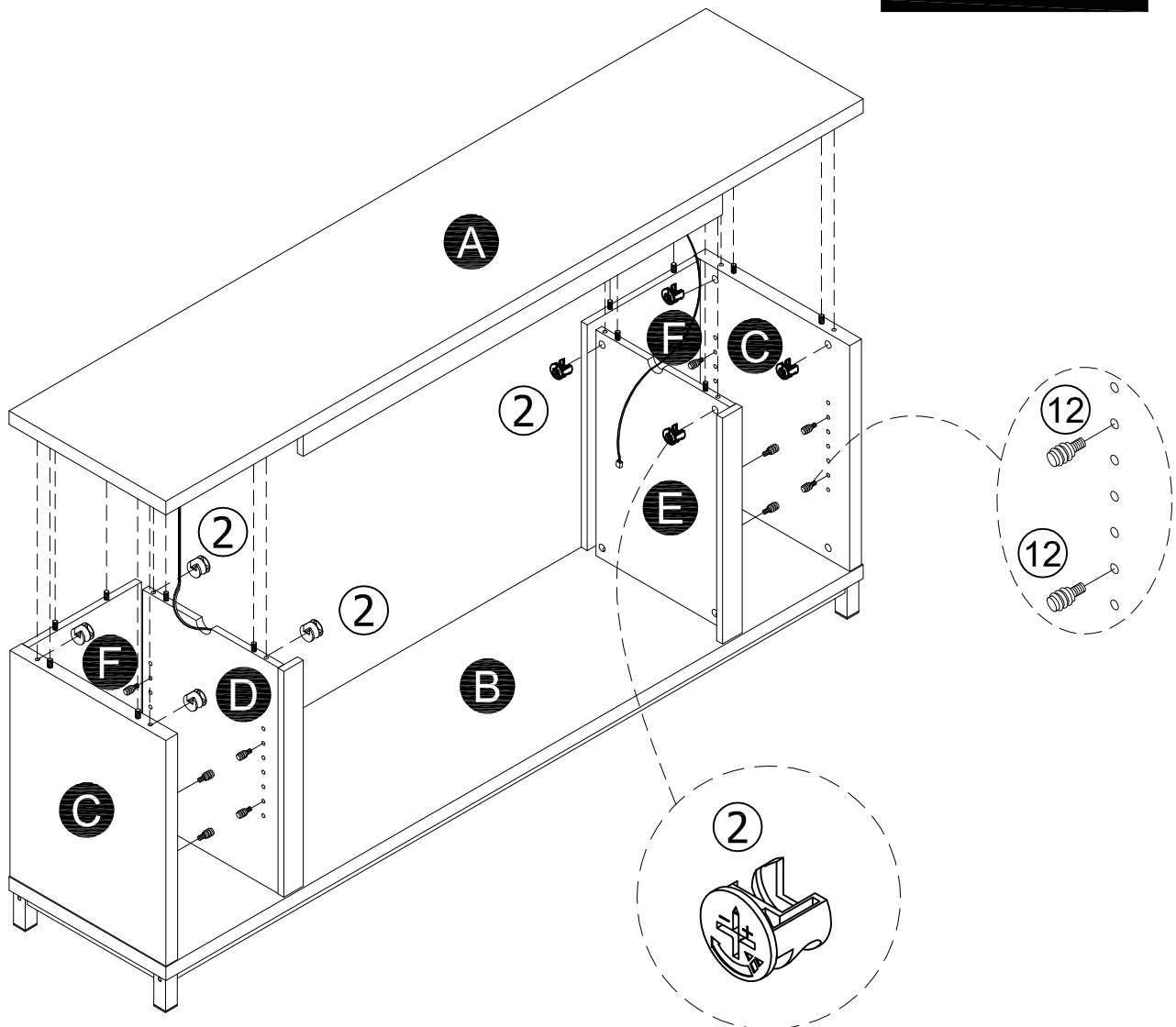
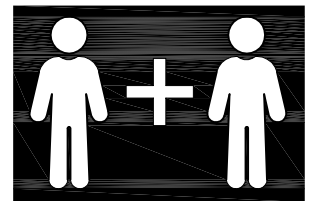


x 8

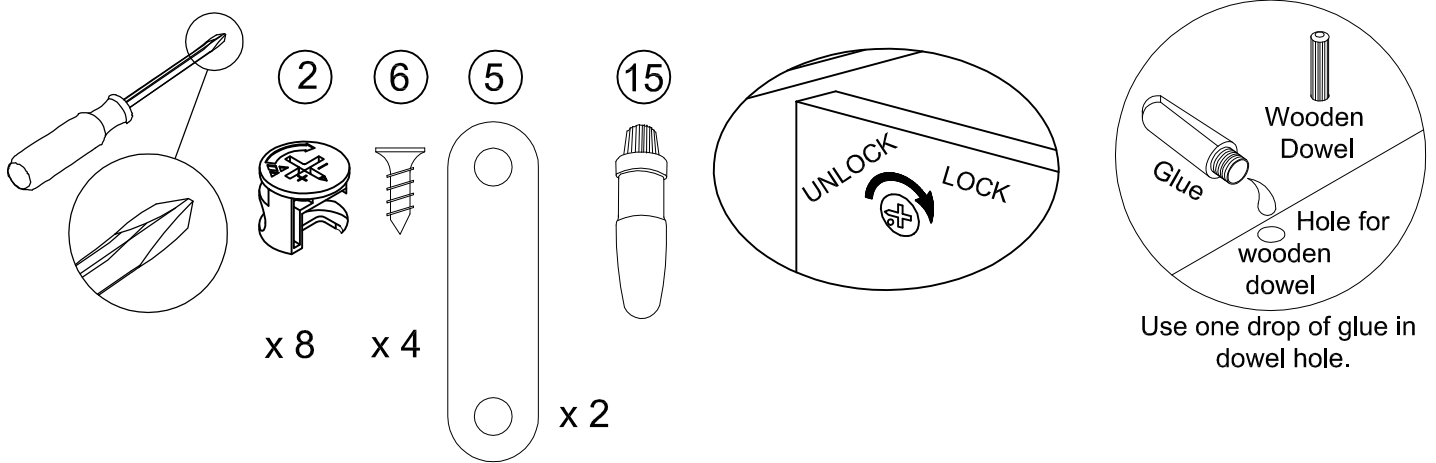
x 16

Use one drop of glue in dowel hole.

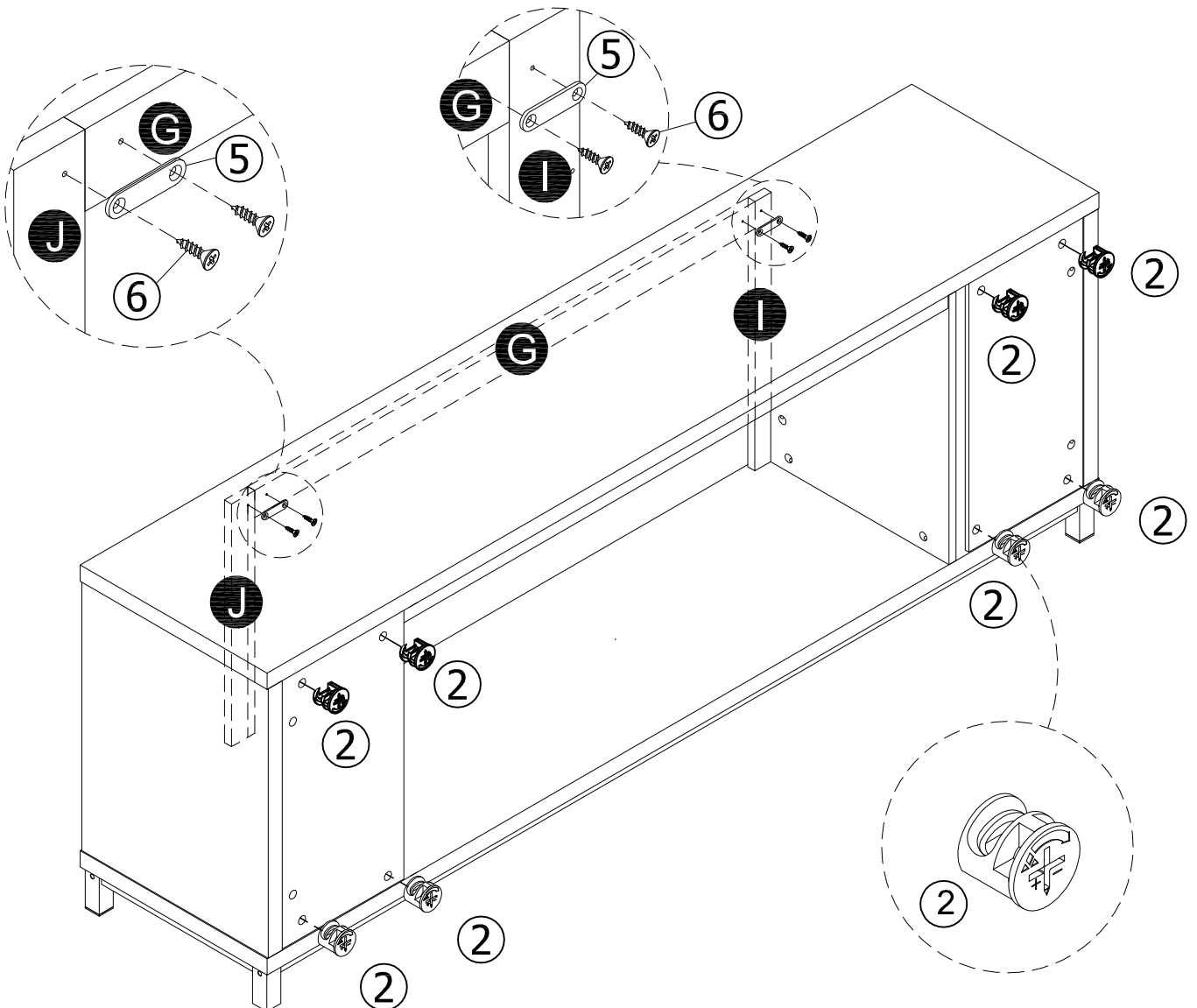
Attach board (A) to board (C), board (D), board (E) and board (F) with 8 Cam Locks (2), Wood Dowels and Cam Bolts.  
Attach 16 shelf supports (12) to board (C), board (D) and board (E).



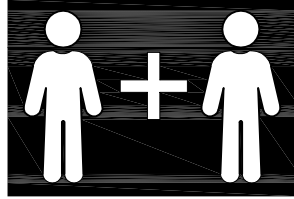
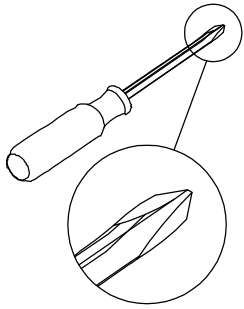
## STEP 16



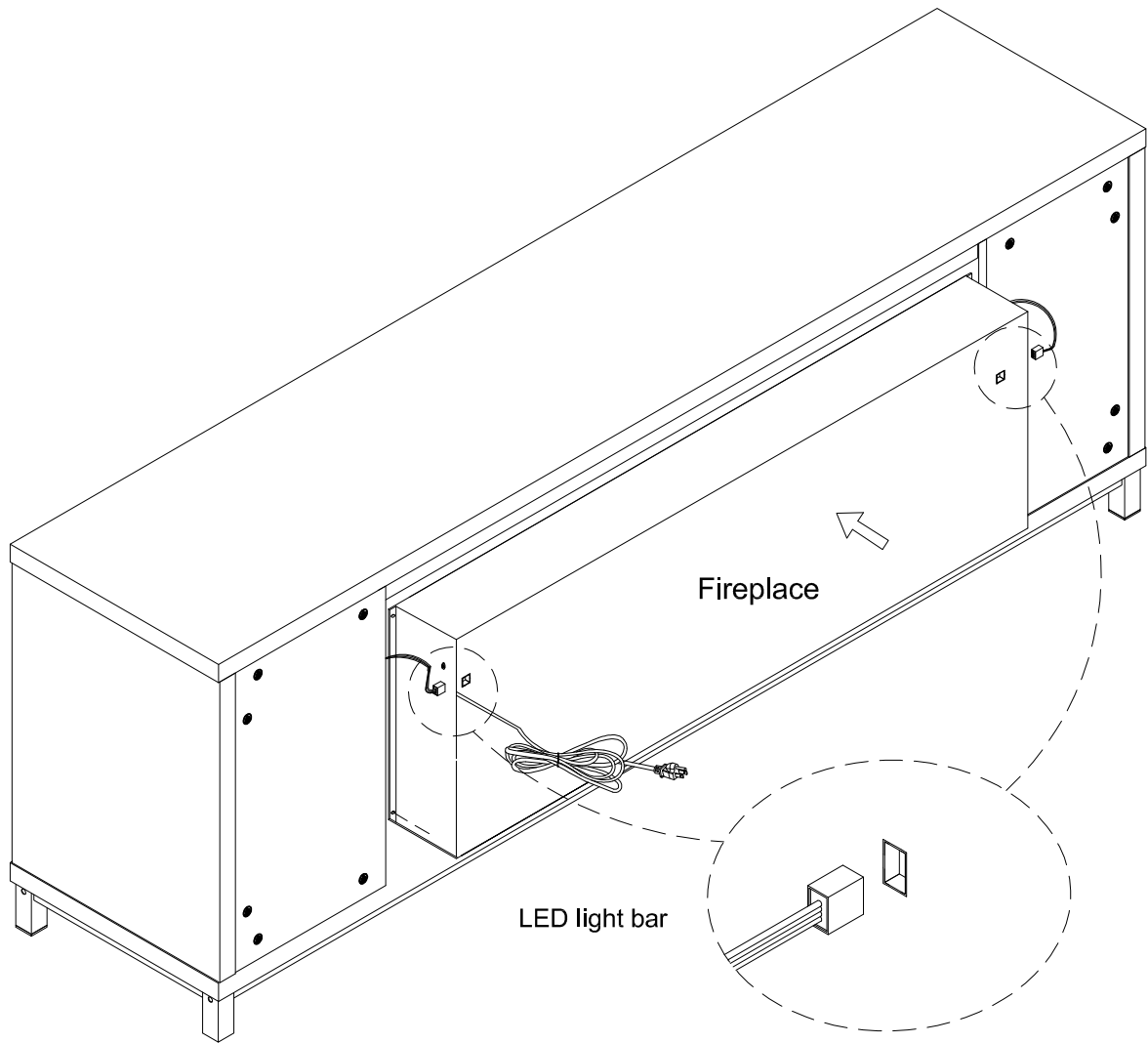
Attach top shelf apron (G) to board (I) and board (J) with 2 metal plates (5) and 4 Screws (6). Install 8 Cam Locks as shown.



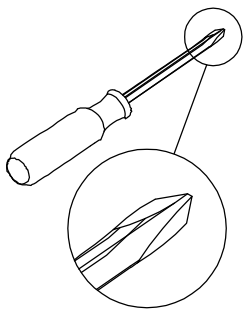
## STEP 17



Put the fireplace into the assembled unit. Insert LED Cabel to fireplace.



## STEP 18

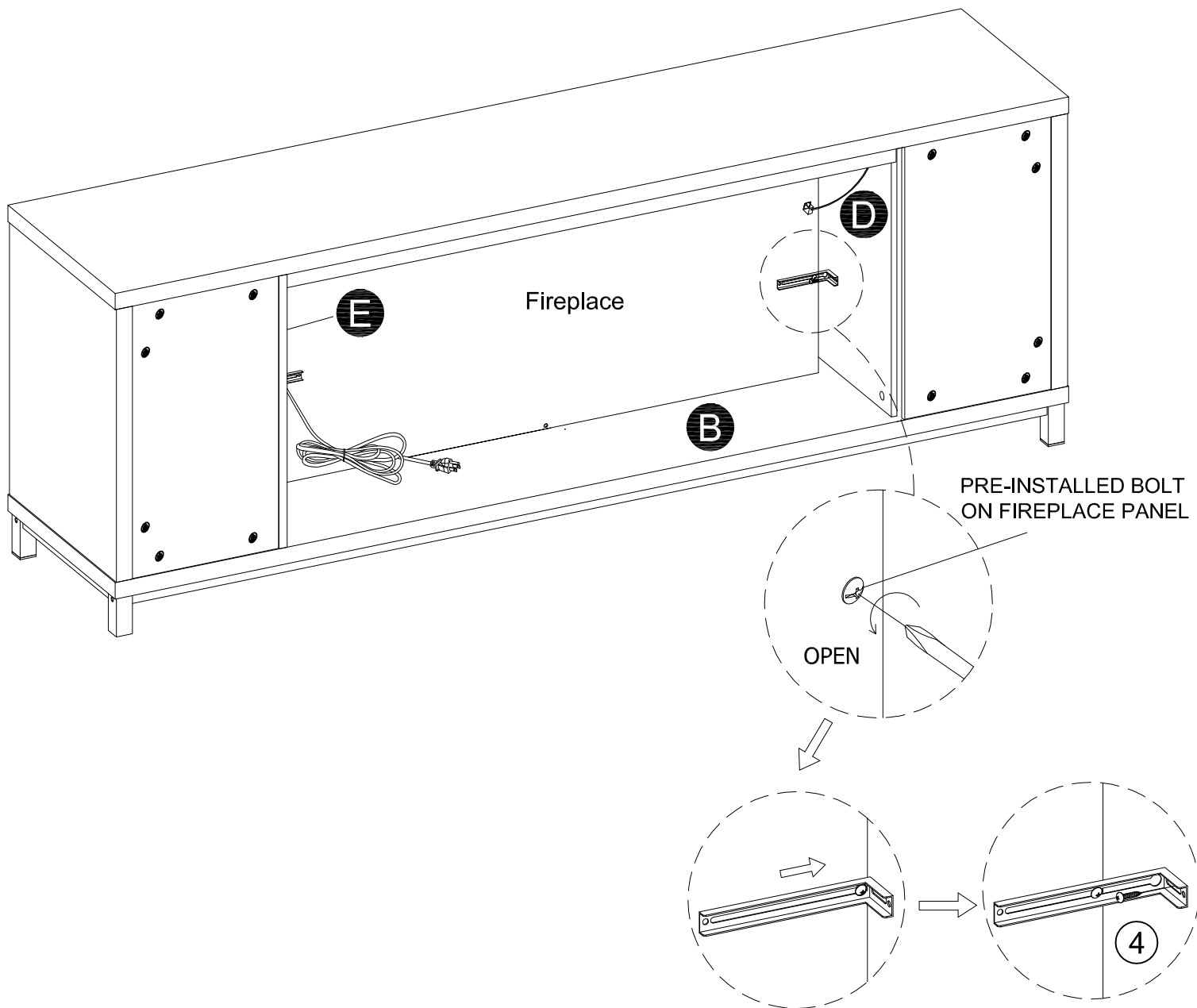


4

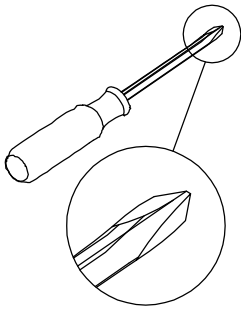


x 2

Attach 2 metal bracket to board(D) and (E) using 2 Screw (4).



## STEP 19

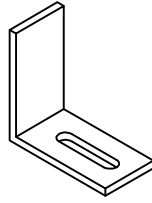


4



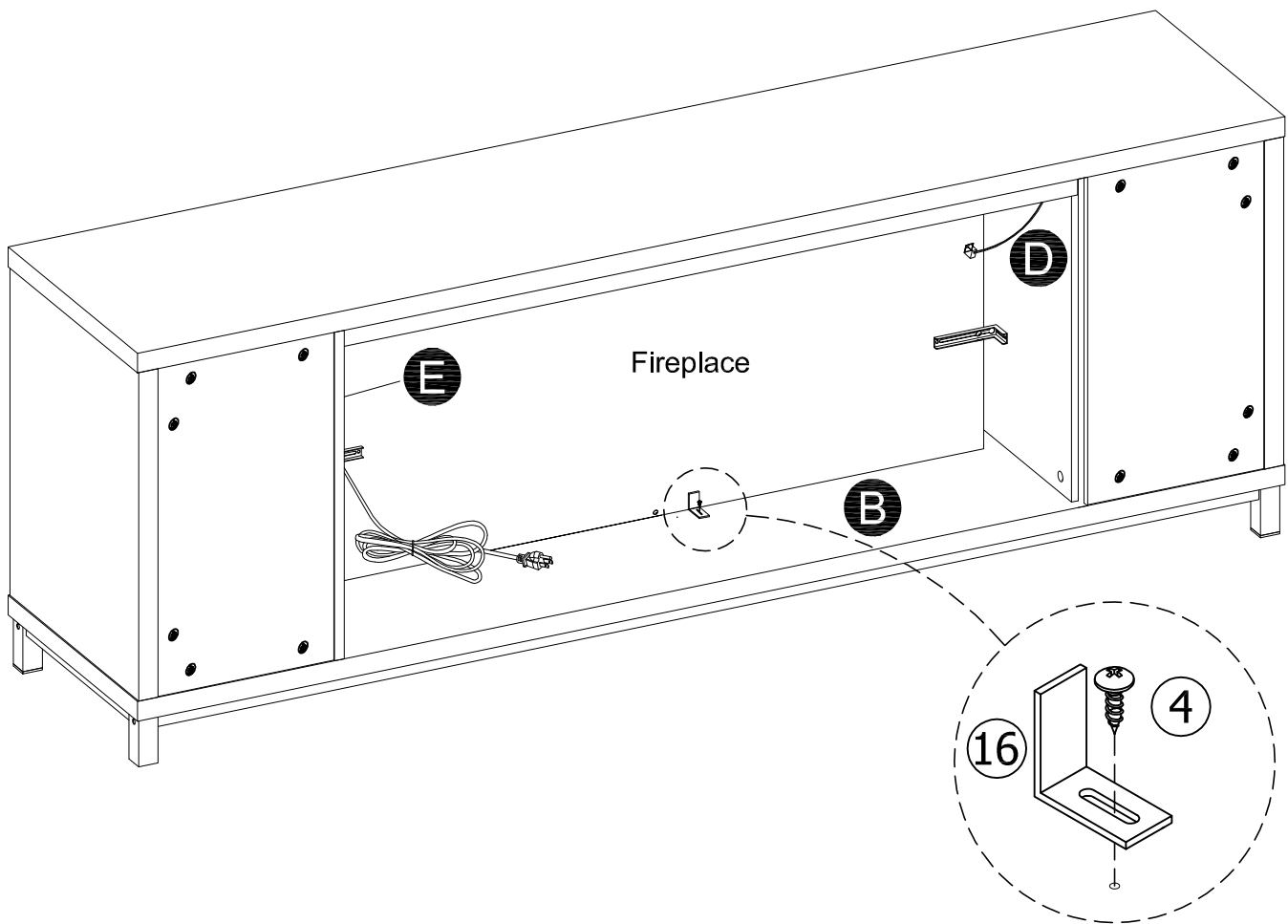
x 1

16

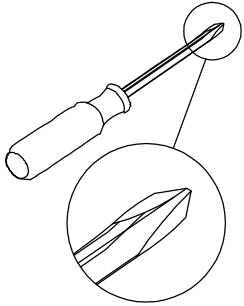


x 1

- Attach Angel Bracket (16) to Bottom Panel (B) using Screw (4).

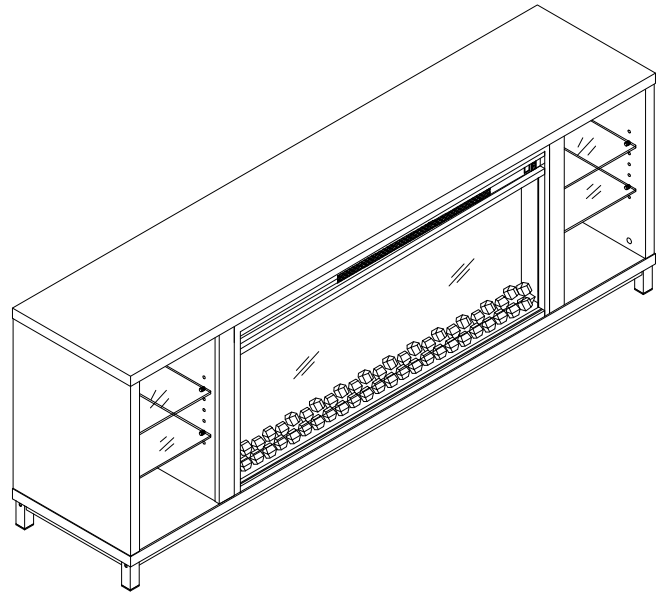


## STEP 20



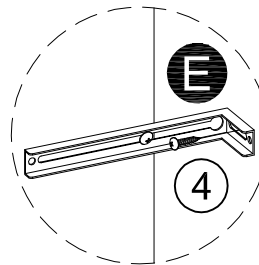
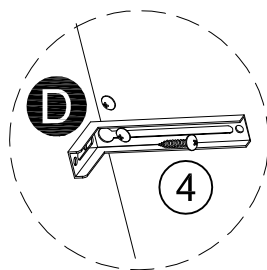
### CAUTION:

- The assembly need 2 person to handle.
- To avoid the fireplace moving during the adjustment, have one person hold the fireplace in place while the other person tighten the bolts and Screws gradually and evenly.



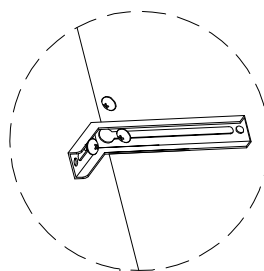
### To adjust the fireplace horizontal depth:

Loosen Screws (4) on (B),(D) and (E), adjust the position of the fireplace to align with front partition (B),(D) & (E), tighten Screws gradually and evenly when all positions are corrected.

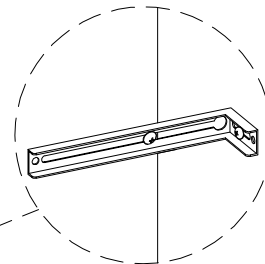


### To adjust the fireplace sideways:

Loosen Pre-installed bolts of fireplace, align the fireplace to the center, tighten bolts gradually and evenly when all positions are corrected.

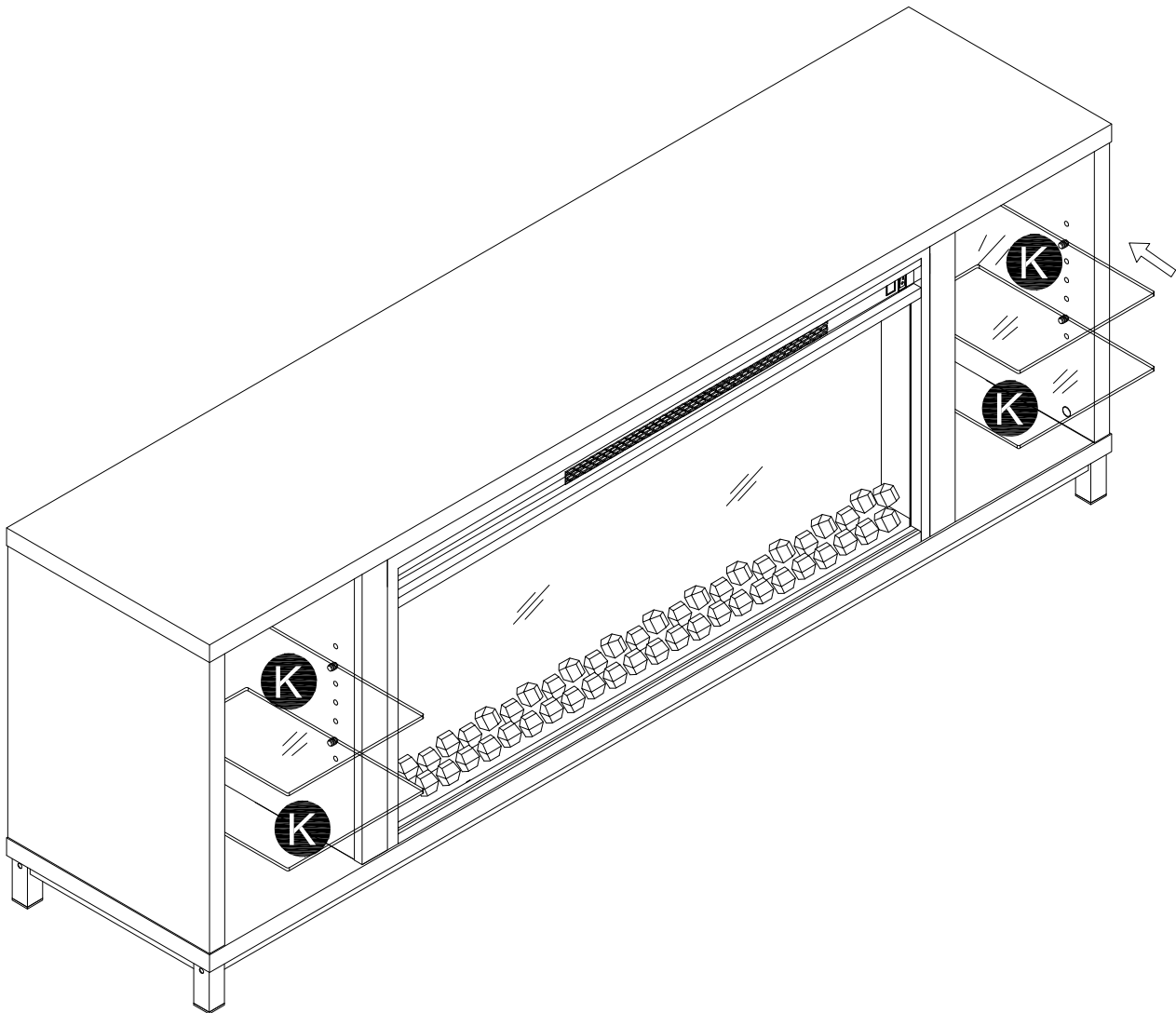


Pre-installed bolt



# STEP 21

Put glass shelves (K) inside as the illustration below shown.





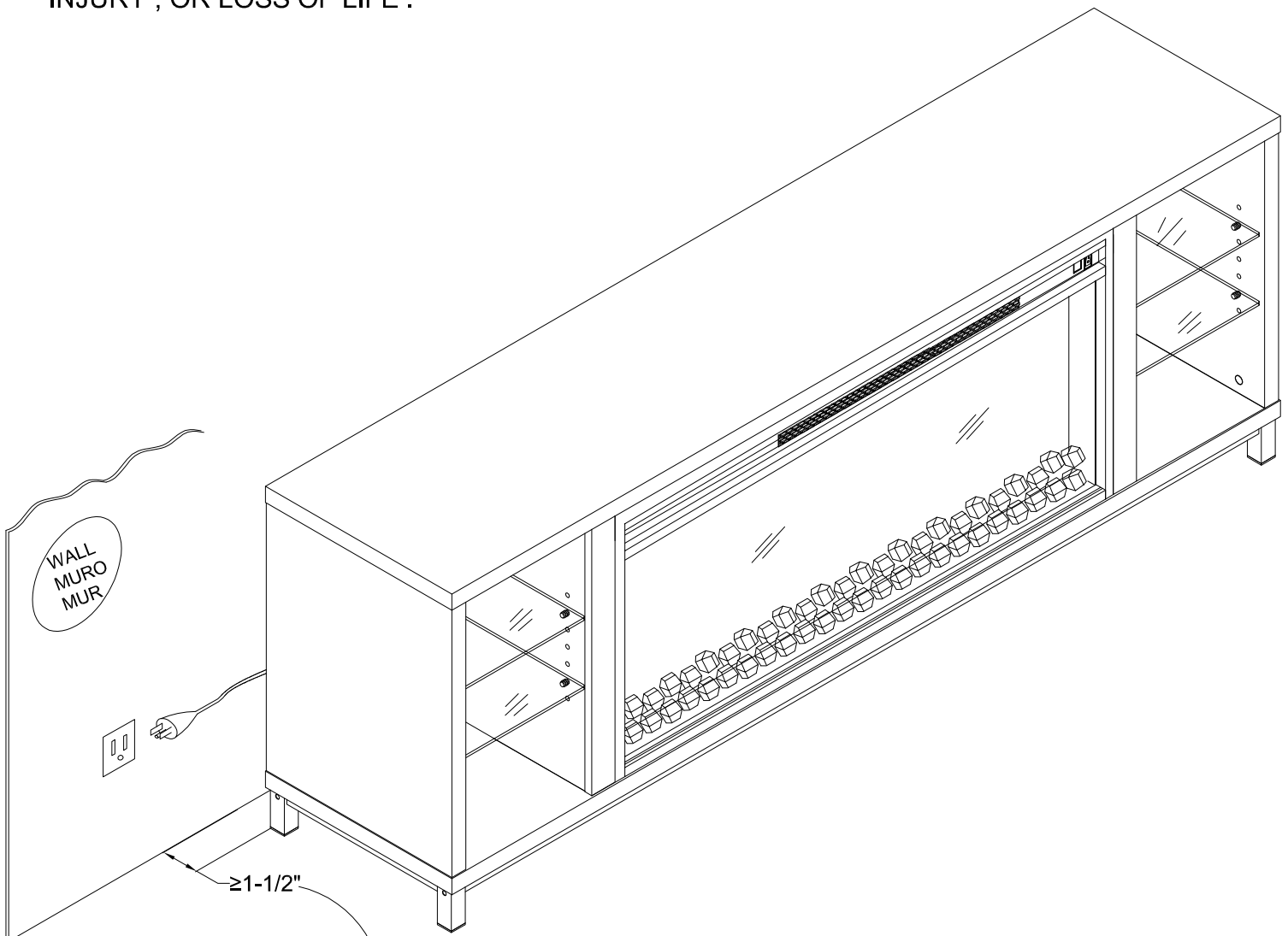
## STEP 22

### BEFORE CONNECTING THE UNIT TO A WALL ELECTRIC OUTLET

Please carefully read and follow instructions and safety warnings in “Fireplace Homeowners Operating Manual” to operate your fireplace.

### WARNING

IF THE INFORMATION IN THE FIREPALCE OPERATING MANUAL IS NOT FOLLOWED, AN ELECTRIC SHOCK OR FIRE MAY RESULT IN PROPERTY DAMAGE, PERSONAL INJURY , OR LOSS OF LIFE .



To allow proper heater ventilation, this unit must be located a minimum of 1-1/2” away from a back wall.

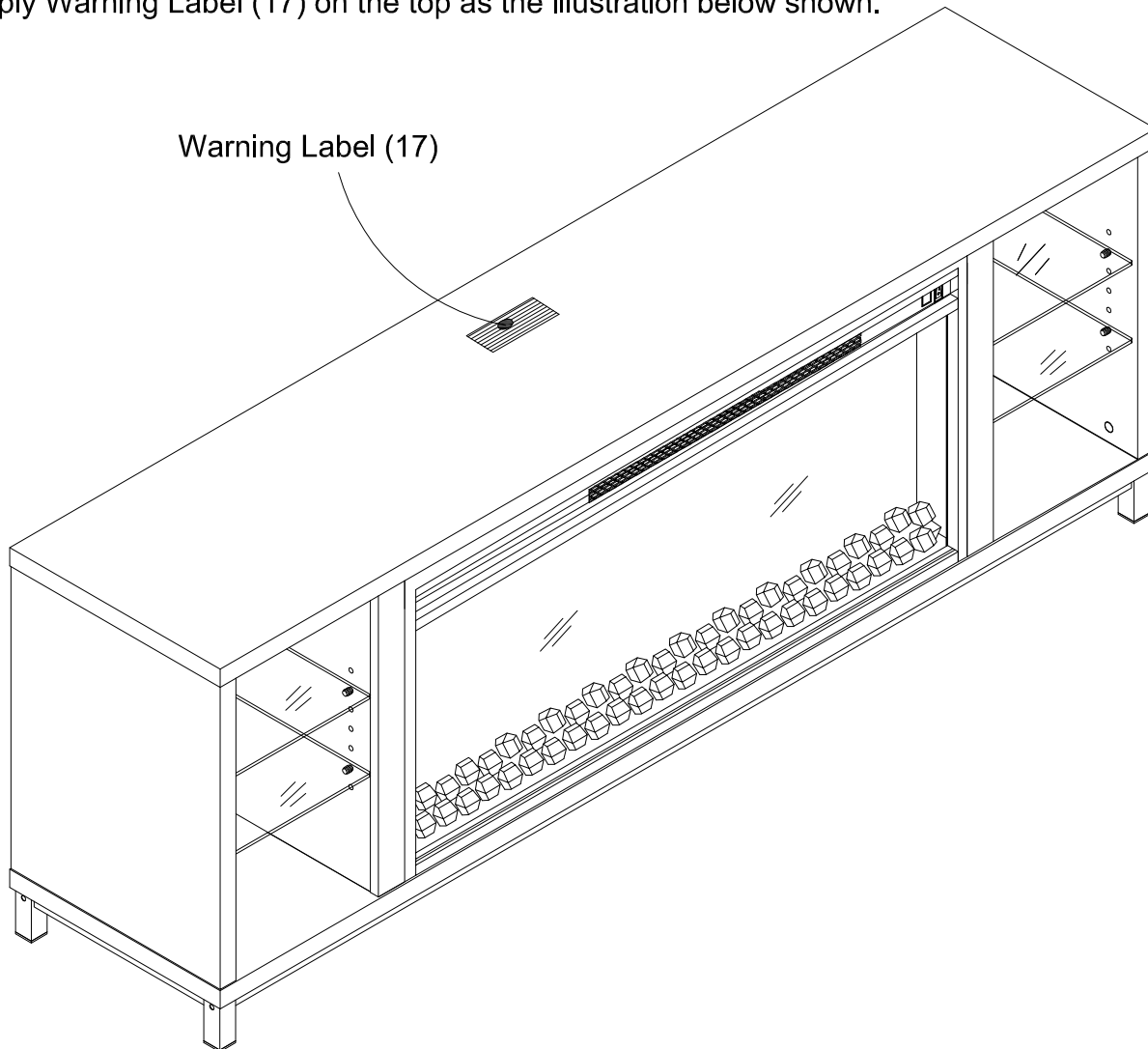
## STEP 23

17

WARNING  
ADVERTENCIA  
AVERTISSEMENT

(x1)

Apply Warning Label (17) on the top as the illustration below shown.

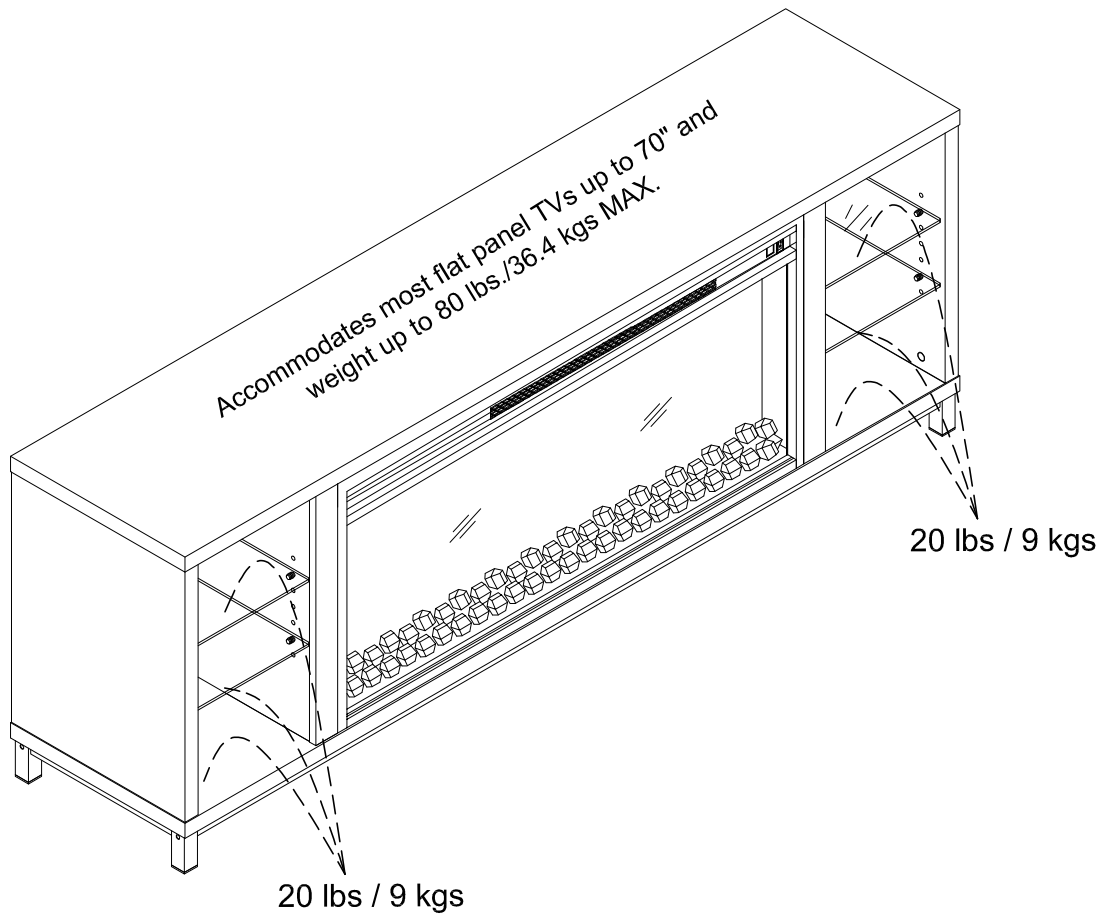


### WARNING

Risk of death or serious injury. This unit must be placed against a fixed in place wall at least as tall as television.

## Maximum Loads

This unit has been designed to support the maximum loads shown. Exceeding these load limits could cause sagging, instability, product collapse, and/or serious injury.



### Certificate of Conformity

1. This certificate applies to the Dorel Home Furnishings, Inc. product identified by this instruction manual.
2. This certificate applies to compliance of this product with the CPSC Ban on Lead-Containing Paint (16 CFR 1303).
3. This product is distributed by: Dorel Home Furnishings, Inc.  
410 East First Street South  
Wright City, MO 63390  
636-745-3351
4. Site of Manufacture: Binh Duong, VietNam
5. See front page of instruction manual for date of manufacture.

---

## Register your product to receive the following:



- \* New trend details - sneak peek on what's new
- \* Surveys - have a voice within our community
- \* Exclusive deals and discount codes
- \* Quick and easy replacement part service

To register your product, visit [ameriwoodhome.com](http://ameriwoodhome.com)

## *Star Rating*



Visit your local retailer's website, rate your purchased product and leave us some feedback!

We would like to extend a big "Thank You" to all of our customers for taking the time to assemble this Ameriwood Home product, and to give us your valuable feedback.

*Thank  
You!*

# Español

## Cubierta Delantera

Este libro de instrucciones contiene información **IMPORTANTE** de seguridad. Por favor lea y manténgalo para referencia en el futuro.

**No Regrese este producto!** Comuníquese con nuestro amigoso equipo de servicio al cliente para obtener ayuda.

Llámenos al: 1-800-489-3351 (Gratis)

**Visitar:** [www.ameriwoodhome.com](http://www.ameriwoodhome.com)

## PRECAUCION

Este mueble puede volcarse y causar graves heridas y/o muerte.

Anclar el mueble a un poste de madera en la pared (si esto se requiere).

No Permita que los niños monten el mueble.

Mantenga los artículos más pesados en los cajones de abajo.

## Consejos Útiles (página 2)

- Abra su artículo en el área donde usted planea utilizarlo para evitar levantar y moverlo menos
- Identificar, ordenar y contar las piezas antes de intentar ensamblar
- Las clavijas de compresión se golpean con un martillo
- Las diapositivas están marcadas con una R (derecha) y L (izquierda) para la colocación correcta
- Asegúrese de que siempre este el punto localizado en la parte superior de bloqueador de leva este volteado hacia borde exterior
- Utilizar todos los clavos para el panel de atrás y distribuirlos por igual
- El panel de atrás debe utilizarse para asegurarse de que la unidad quede fija y firme
- No use químicas fuertes ni limpiadores abrasivos en este artículo
- Nunca empuje, tire ni arrastre los muebles

## Antes de Que Empieces (página 3)

- Lea cuidadosamente cada paso y siga el orden correcto

- Separar y contar todas sus piezas y hardware

- Dése suficiente espacio para el proceso de ensamble

- Tenga las siguientes herramientas: martillo

- Precaución: Si usa un taladro electrónico o un destornillador eléctrico para atornillar, por favor asegúrese que deje de atornillar cuando el tornillo este apretado. Fallar hacer esto puede causar barrer el tornillo.

## Sistema de fijar el bloqueo de leva (página 3)

Este sistema de fijar el bloqueo de leva será usado en todo el proceso ensamble.

## Identificación de los Paneles (Página 5-6)

Este no es el tamaño real

- (A) PANEL SUPERIOR
- (B) PANEL BASE
- (C) TABLA LATERAL
- (D) PARTICIÓN IZQUIERDA
- (E) PARTICIÓN DERECHA
- (F) PANEL TRASERO
- (G) DELANTAL DE ESTANTE SUPERIOR
- (H) SOPORTE SUPERIOR TRASERO
- (I) RIEL LATERAL IZQUIERDO
- (J) RIEL LATERAL DERECHO
- (K) ESTANTE DE VIDRIO
- (L) TUBE SOPORTE
- (M) PATA METALICA
- (N) PIE DE APOYO Central  
CHIMENEA

## Lista de Piezas (Página 9-10)

Tamaño real

- (1) Tornillo de rosca
- (2) Tornillo de cerradura
- (3) Clavija de madera
- (4) Tornillo
- (5) Placez de metal
- (6) Tornillo
- (7) Tornillo
- (8) Tornillo
- (9) Tornillo

Este no es el tamaño real

- (10) Arandela
- (11) Arandela de resorte
- (12) Soporte de repisa
- (13) Llave en L
- (14) Gancho para Cables
- (15) Pegamento
- (16) Angular
- (17) Etiqueta de Advertencia

### Página 12

Utilice su destornillador para apretar completamente los 14 pernos de leva (1) en la placa (A) y los 12 pernos de leva (1) en la placa (B).

### Página 13

Utilice su destornillador para apretar completamente los 2 pernos de leva (1) en la placa (C). Inserte 4 tacos de madera (3) en el tablero (C).

### Página 14

Inserte 6 tacos de madera (3) en el tablero (D).

### Página 15

Inserte 6 tacos de madera (3) en el tablero (E).

### Página 16

Inserte 6 clavijas de madera (3) en la tabla (F) y 2 clavijas de madera en la tabla (G).

### Página 17

Utilice su destornillador para apretar completamente los 2 pernos de leva (1) en la placa (I) y los 2 pernos de leva (1) en la placa (J).

### Página 18

Conecte 2 tubos de soporte de metal (L) a la tabla (B) con 8 pernos (8), 8 arandelas (10) y 8 arandelas de resorte (11). Apriete completamente con la llave hexagonal (13) una vez que estén todos en su lugar. NO apriete demasiado.

### Página 19

Conecte 2 marcos de patas de metal (M) a la tabla (B) con 4 pernos (8), 4 arandelas (10) y 4 arandelas de resorte (11). Conecte 2 marcos de patas de metal (M) a 2 marcos de patas de metal con 4 pernos (9), 4 arandelas (10) y 4 arandelas de resorte (11). Apriete completamente con la llave hexagonal (13) una vez que estén todos en su lugar. NO apriete demasiado.

**Página 20**

Conecte el pie de soporte Central (N) a la tabla (B).

**Página 21**

Fije la tabla (I) a la tabla (D) con 2 cerraduras de leva (2), clavijas de madera y pernos de leva. Fije la tabla (J) a la tabla (E) con 2 cerraduras de leva (2), clavijas de madera y pernos de leva.

**Página 22**

Fije la tabla (F) a la tabla (C) con 2 cerraduras de leva (2), clavijas de madera y pernos de leva.

**Página 23**

Fije el tablero (C), el tablero (D) y el tablero (F) al tablero (B) con 4 cerraduras de leva (2), clavijas de madera y pernos de leva.

**Página 24**

Fije el tablero (C), el tablero (E) y el tablero (F) al tablero (B) con 4 cerraduras de leva (2), clavijas de madera y pernos de leva.

**Página 25**

Fije el faldón del estante superior (G) al tablero (A) con 2 cerraduras de leva (2), clavijas de madera y pernos de leva.

Fije el soporte superior trasero (H) a la tabla (A) con 4 tornillos (7). Conecte 2 luces LED a la placa (A) con 2 clips para cables (14) y 6 tornillos (6).

**Página 26**

Conecte el tablero (A) al tablero (C), al tablero (D), al tablero (E) y al tablero (F) con 8 cerraduras de leva (2), clavijas de madera y pernos de leva.

Conecte 16 soportes para estantes (12) al tablero (C), al tablero (D) y al tablero (E).

**Página 27**

Fije el faldón del estante superior (G) al tablero (I) y al tablero (J) con 2 placas de metal (5) y 4 tornillos (6). Instale 8 cerraduras de leva como se muestra.

**Página 28**

Coloque la chimenea en la unidad ensamblada. Inserte el cable de luz LED a la chimenea.

**Página 29**

Fije 2 soportes de metal a las tablas (D) y (E) usando 2 tornillos (4).

**Página 30**

Fije el soporte angular (16) a la placa (B) usando 1 tornillo (4).

## Página 31

**PRECAUCIÓN:** El conjunto necesita 2 personas para manipularlo.

Para evitar que la chimenea se mueva durante el ajuste, haga que una persona sostenga la chimenea en su lugar mientras la otra aprieta los pernos y tornillos de manera gradual y uniforme.

Para ajustar la profundidad horizontal de la chimenea:

Afloje los tornillos (4) en las tablas (D) y (E), ajuste la posición de la chimenea para alinearla con el riel lateral izquierdo (I), el riel lateral derecho (J) y el faldón del estante superior (G), apriete los tornillos de manera gradual y uniforme cuando todas las posiciones estén corregidas.

Para ajustar la chimenea hacia los lados:

Afloje los pernos preinstalados de la chimenea, alinee la chimenea con el centro, apriete los pernos de manera gradual y uniforme cuando se hayan corregido todas las posiciones.

## Página 32

Coloque 4 estantes de vidrio (K) en la unidad ensamblada.

## Página 33

### ANTES DE CONECTAR LA UNIDAD A UN TOMACORRIENTE ELÉCTRICO DE PARED

Lea atentamente y siga las instrucciones y advertencias de seguridad en "Propietarios de viviendas con chimeneas".

Manual de funcionamiento" para operar su chimenea.

Para permitir una ventilación adecuada del calentador, esta unidad debe ubicarse a un mínimo de 1-1/2" de distancia de la pared trasera.

## Página 34

Aplice la etiqueta de advertencia (17) en la parte superior.

## Página 35

### CARGA MAXIMA

Esta unidad ha sido diseñada para soportar la carga máxima anotada. El exceder estos límites puede causar inestabilidad, colapsarse y/o causar serias lesiones.

**ADVERTENCIA:** aplique la etiqueta de advertencia de TV a su unidad para que siempre tenga los límites de peso y tamaño de TV del modelo.

Tamaño máximo del televisor: pantalla plana de 70".

## Página 36

Registre su producto para recibir lo siguiente:

- \* Detalles de nuevas tendencias - Vistazo a lo nuevo / Encuestas - alec su voz entre su comunidad
- \* Códigos de ofertas y descuentos exclusivos / Fácil y rápido servicio de partes de remplace

Para registrar su producto, visite [ameriwoodhome.com](http://ameriwoodhome.com). Clasificación de 5 estrellas

Visite el sitio web de su distribuidor local, califique el producto que compró y déjenos sus comentarios.

Nos gust



## Couverture Avant

CE LIVRET D'INSTRUCTION CONTIENT DES INFORMATIONS **IMPORTANTES** SUR LA SÉCURITÉ.  
VEUILLEZ LIRE ET GARDER POUR UNE RÉFÉRENCE FUTURE

**Ne retournez pas ce produit!** Contactez notre équipe de service à la clientèle amicale d'abord pour obtenir de l'aide.

**Appelez-nous:** 1-800-489-3351 (sans frais)

**Visitez:** [www.ameriwoodhome.com](http://www.ameriwoodhome.com)

## ATTENTION

Le meuble peut basculer et causer des blessures graves ou la mort.

Ancrer le meuble à une planche murale dans le mur (si indiqué).

Ne laissez pas les enfants grimper sur le meuble.

Placez les articles lourds sur les étagères ou dans les tiroirs inférieurs.

## Astuces Utiles (page 2)

- Ouvrez votre article dans la zone que vous prévoyez de le garder pour moins de levage lourd
- Identifier, trier et compter les pièces avant d'essayer d'assembler
- Les goujons de compression sont taraudés avec un Marteau
- Les glissières sont marquées d'un R (droit) et d'un L (gauche) pour un bon placement
- Assurez-vous toujours de faire face la pointe situé sur le haut de la Serrure de Came vers le bord extérieur
- Utiliser tous les clous fournis pour le panneau arrière et les répartir également
- Le panneau arrière doit être utilisé pour vous assurer que votre appareil est robuste
- N'utilisez pas de produits chimiques agressifs ou de nettoyeurs abrasifs sur cet appareil
- Ne jamais pousser, tirer, ou faire glisser votre meuble

## Avant de Commencer (page 3)

- Lisez attentivement chaque étape et suivez le bon ordre
- Séparez et comptez toutes vos pièces et matériaux
- Donnez-vous suffisamment de place pour l'assemblage
- Avoir les outils suivants: Marteau
- Attention: Si vous utilisez une perceuse électrique ou un tournevis électrique pour visser, veuillez à ralentir et arrêter lorsque la vis est bien serrée. Le non-respect de cette consigne peut endommager la vis.

## Système de Fixation de Came (page 3)

Ce Système de Fixation de Came sera utilisé tout au long de l'assemblage

## Identificación de los Paneles (Página 5-6)

Este no es el tamaño real

- (A) PANNEAU SUPÉRIEUR
- (B) PANNEAU INFÉRIEUR
- (C) PANNEAU LATÉRAL
- (D) CLOISON GAUCHE
- (E) CLOISON DROITE
- (F) PANNEAU ARRIERE
- (G) TABLIER POUR ÉTAGÈRE SUPÉRIEUR
- (H) SUPPORT SUPÉRIEUR ARRIÈRE
- (I) RAIL LATÉRAL GAUCHE
- (J) RAIL LATÉRAL DROIT
- (K) ÉTAGERE EN VERRE
- (L) TUBE DE SOUTIEN
- (M) PATTE EN MEAL
- (N) PIED D'APPUI Central  
FOYER

## Lista de Piezas (Página 9-10)

Tamaño real

- (1) Boulon de came
- (2) Serrure de came
- (3) Goujon en bois
- (4) Vis
- (5) Plaque métallique
- (6) Vis
- (7) Vis
- (8) Boulon
- (9) Boulon

Este no es el tamaño real

- (10) Rondelle
- (11) Rondelle à ressort
- (12) Support de tablette
- (13) Clé hexagonale
- (14) Pince pour cable
- (15) Colle
- (16) D'angle
- (17) Étiquette d'avertissement

### Page 12

Utilisez votre tournevis pour serrer complètement 14 boulons à came (1) dans la carte (A) et 12 boulons à came (1) dans la carte (B).

### Page 13

Utilisez votre tournevis pour serrer complètement les 2 boulons à came (1) dans la carte (C). Insérez 4 chevilles en bois (3) dans la planche (C).

### Page 14

Insérez 6 chevilles en bois (3) dans la planche (D).

### Page 15

Insérez 6 chevilles en bois (3) dans la planche (E).

### Page 16

Insérez 6 chevilles en bois (3) dans la planche (F) et 2 chevilles en bois dans la planche (G).

### Page 17

Utilisez votre tournevis pour serrer complètement 2 boulons à came (1) dans la carte (I) et 2 boulons à came (1) dans la carte (J).

### Page 18

Fixez 2 tubes de support métalliques (L) à la planche (B) avec 8 boulons (8), 8 rondelles (10) et 8 rondelles élastiques (11). Serrez complètement avec la clé hexagonale (13) une fois qu'ils sont tous en place. Ne pas trop serrer.

### Page 19

Fixez 2 cadres de pieds métalliques (M) à la planche (B) avec 4 boulons (8), 4 rondelles (10) et 4 rondelles élastiques (11). Fixez 2 cadres de pieds métalliques (M) à 2 cadres de pieds métalliques avec 4 boulons (9), 4 rondelles (10) et 4 rondelles élastiques (11). Serrez complètement avec la clé hexagonale (13) une fois qu'ils sont tous en place. Ne pas trop serrer.

## Page 20

Fixez le pied de support Central (N) à la planche (B).

## Page 21

Fixez la planche (I) à la planche (D) avec 2 verrous à came (2), des chevilles en bois et des boulons à came. Fixez la planche (J) à la planche (E) avec 2 verrous à came (2), des chevilles en bois et des boulons à came.

## Page 22

Fixez la planche (F) à la planche (C) avec 2 verrous à came (2), des chevilles en bois et des boulons à came.

## Page 23

Fixez la planche (C), la planche (D) et la planche (F) à la planche (B) avec 4 verrous à came (2), des chevilles en bois et des boulons à came.

## Page 24

Fixez la planche (C), la planche (E) et la planche (F) à la planche (B) avec 4 verrous à came (2), des chevilles en bois et des boulons à came.

## Page 25

Fixez le tablier de l'étagère supérieure (G) à la planche (A) avec 2 verrous à came (2), des chevilles en bois et des boulons à came.

Fixez le support supérieur arrière (H) à la carte (A) avec 4 vis (7). Fixez 2 lumières LED à la carte (A) avec 2 serre-fils (14) et 6 vis (6).

## Page 26

Fixez la planche (A) à la planche (C), à la planche (D), à la planche (E) et à la planche (F) avec 8 verrous à came (2), des chevilles en bois et des boulons à came.

Fixez 16 supports d'étagère (12) au tableau (C), au tableau (D) et au tableau (E).

## Page 27

Fixez le tablier de l'étagère supérieure (G) à la planche (I) et à la planche (J) avec 2 plaques métalliques (5) et 4 vis (6). Installez 8 verrous à came comme indiqué.

## Page 28

Placez le foyer dans l'unité assemblée. Insérez le câble d'éclairage LED dans le foyer.

## Page 29

Fixez 2 supports métalliques aux planches (D) et (E) à l'aide de 2 vis (4).

## Page 30

Fixez le support d'angle (16) à la carte (B) à l'aide d'1 vis (4).

## Page 31

ATTENTION : L'ensemble nécessite 2 personnes pour être manipulé.

Pour éviter que le foyer ne bouge pendant le réglage, demandez à une personne de maintenir le foyer en place pendant que l'autre personne serre les boulons et les vis graduellement et uniformément.

Pour régler la profondeur horizontale du foyer :

Desserrez les vis (4) sur les planches (D) et (E), ajustez la position du foyer pour l'aligner avec le rail latéral gauche (I), le rail latéral droit (J) et le tablier de la tablette supérieure (G), serrez les vis progressivement et uniformément. lorsque toutes les positions sont corrigées.

Pour régler le foyer latéralement :

Desserrez les boulons préinstallés du foyer, alignez le foyer au centre, serrez les boulons progressivement et uniformément lorsque toutes les positions sont corrigées.

## Page 32

Placez 4 étagères en verre (K) dans l'unité assemblée.

## Page 33

### AVANT DE BRANCHIR L'APPAREIL À UNE PRISE ÉLECTRIQUE MURALE

Veuillez lire attentivement et suivre les instructions et les avertissements de sécurité dans « Propriétaires de foyers. Manuel d'utilisation » pour faire fonctionner votre foyer.

Pour permettre une ventilation adéquate du radiateur, cette unité doit être située à au moins 1-1/2" d'un mur arrière.

## Page 34

Appliquez l'étiquette d'avertissement (17) sur le dessus.

## Page 35

### CHARGES MAXIMALES

Ce meuble a été conçu pour supporter les charges maximales indiquées. En excédant ces limites de charge, le meuble pourrait devenir instable, s'effondrer, et/ou causer des blessures graves.

AVERTISSEMENT: Appliquez l'étiquette d'avertissement du téléviseur sur votre appareil afin d'avoir toujours les limites de poids et de taille du téléviseur du modèle.

Taille maximale du téléviseur : écran plat 70".

## Page 36

Enregistrez votre produit pour recevoir les éléments suivantes:

\* Détails sur les nouvelles tendances - un aperçu sur les nouveautés / Sondages - avoir une voix au sein de notre communauté / Offres exclusives et codes promo / Service de pièces de rechange rapide et facile

Pour enregistrer votre produit, visitez [ameriwoodhome.com](http://ameriwoodhome.com). 5 Étoiles

Visitez le site Web de votre détaillant local, évaluez le produit que vous avez acheté et laissez-nous vos commentaires !

Nous tenons à offrir un grand "Merci" à tous nos clients pour avoir pris le temps d'assembler ce produit "Ameriwood Home", et de nous donner vos commentaires précieux.

Merci